



HOSHIZAKI

Premier KG 140 L

Double glass door refrigerator



2/1 GN

PRODUCT SERIES: PREMIER 140

ITEM NUMBER: 184141070

COUNTRY OF ORIGIN: TURKEY

Hoshizaki Premier KG 140 L is a 2/1 GN deep double glass door refrigerator with a net usable volume of 1085 ltr. ranking B in energy efficiency class. It has a cabinet height of 2080-2130 mm and depth of 848 mm without pedal door opener (depth of 920 mm incl. pedal door opener). Legs are adjustable 130-180 mm.

- Air circulation system
- Automatic fan cut-out when door is opened
- Automatic defrost with re-evaporation of defrost water
- Compartmentalized design for maximum internal capacity and easy maintenance
- Clean free condenser (condenser filter not needed)
- Heavy duty cabinet
- Climate class 4 cooling system enduring up to +30°C ambient temperature
- Exterior and interior of stainless steel AISI 304
- Anti-tilt shelf supports moulded into the inner lining
- Stainless steel wall rails and adjustable shelf supports
- Internal LED lighting
- Automatic door closing
- Door lock
- Removable magnetic door gaskets
- Pedal door opener with overload protection (included as accessory)
- Pan-shaped inside base with rounded corners to catch fluids
- Low sound level
- IP21 water protection
- Matching design identity as the Premier counters

ACCESSORIES INCLUDED

4 sets of shelf supports, 6 grey shelves (530 x 650mm) + 2 bottom shelves, Pedal door opener with overload protection

OPTIONAL EXTRAS

Set of legs 130-180 mm
 Set of castors 125 mm (2 x broken and 2 x unbroken)
 Grey shelf with back guard
 Grey bottom shelf with back guard
 Stainless shelf with back guard
 Stainless bottom shelf with back guard
 Set of stainless shelves (6 top and 2 bottom) with back guard
 Shelf support U-shape, left side
 Shelf support U-shape, right side
 Master key

WARRANTY PERIOD

6 Years on Parts & Labour - based on country agreement

EXTERIOR

Stainless steel AISI 304

INTERIOR

Stainless steel AISI 304

Refrigerant type: R290 / Refrigerant: 0,14 kg / CO2 equivalent: 0,42 kg

CERTIFICATIONS



Energy consumption	Energy efficiency class	Energy efficiency class standard	Energy Efficiency Index (EEI)
825 kWh/year	B	ISO 22041: 2019	34,47 EEI

Hoshizaki Europe B.V.
 Burgemeester Stramanweg 101
 1101 AA Amsterdam
 The Netherlands

HEBV Amsterdam office T. +31 (0)20 691 8499
 Export line direct T. +31 (0)20 565 0429
sales.ex@hoshizaki-europe.com
service.ex@hoshizaki-europe.com
www.hoshizaki-europe.com



HOSHIZAKI

Premier KG 140 L

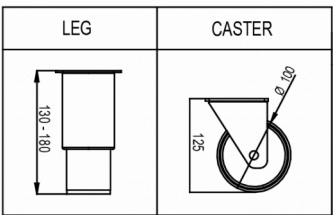
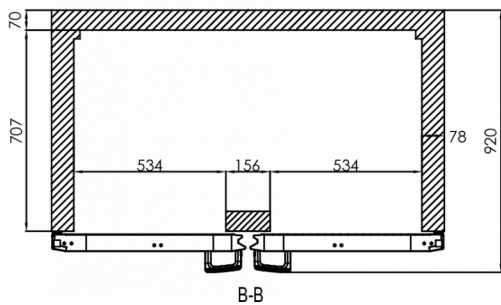
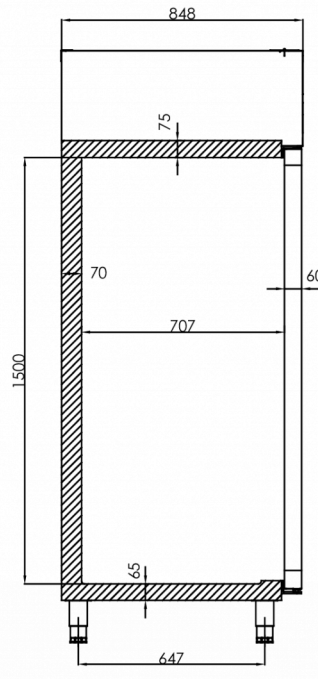
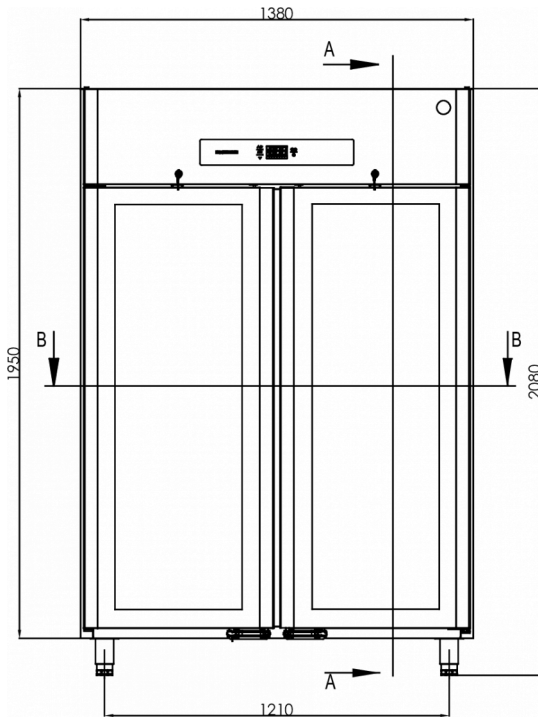
TECHNICAL SPECIFICATIONS

Temperature range	Shelf size	Volume, gross	Net usable volume	Power supply	Connection load	Climate class	Sound level	Ref. capacity (at -10°C)
+2/+12°C	2/1 GN deep	1.400 l	1.085 l	230V, 50Hz	200 W	4 (max. ambient temp. of 30 °C with 55% RH)	50 dB(A)	361 W

SHIPPING SPECIFICATIONS

Width (packed)	Depth (packed)	Height (packed)	Volume (packed)	Gross weight	Width	Depth	Height	Height including legs (minimum)	Height including legs (maximum)	Net weight
1.420 mm	880 mm	2.150 mm	2,687 m ³	224 kg	1.380 mm	848 mm	1.950 mm	2.080 mm	2.130 mm	212 kg

Disclaimer: Every effort has been made to ensure that the information contained in this spec sheet is accurate at the time of publishing. Hoshizaki Europe BV assumes no responsibility or liability for typographical errors or omissions or for any misinterpretation of the information within the publication and reserves the right to change without notice.



Hoshizaki Belgium
 Hoshizaki Danmark
 Hoshizaki Deutschland
 Hoshizaki France
 Hoshizaki Iberia
 Hoshizaki Italia
 Hoshizaki Middle East

info@hoshizaki.nl
info@hoshizaki.dk
vertrieb@hoshizaki.de
info@hoshizaki.fr
info@hoshizaki.es
commerciale@hoshizaki.it
sales.ex@hoshizaki-europe.com

Hoshizaki Netherlands
 Hoshizaki Norge
 Hoshizaki Sverige
 Hoshizaki UK
 Export countries
 Other countries

info@hoshizaki.nl
salg@hoshizaki.no
order@hoshizaki.se
uksales@hoshizaki.uk
sales.ex@hoshizaki-europe.com
sales.ex@hoshizaki-europe.com

www.hoshizaki-europe.com