



HOSHIZAKI

Premier U 60 DR CO2 (AKCC-B) Refrigerator/Freezer 'U' type with Danfoss controller w/bluetooth for remote cooling system



1/1 EN

PRODUCT SERIES: PREMIER 60
ITEM NUMBER: 188601015
COUNTRY OF ORIGIN: TURKEY

Hoshizaki Premier U 60 DR CO2 (AKCC-B) is suitable for the Euronorm 1/1 system (400 x 600 mm) and with Danfoss controller with bluetooth for connection to a remote cooling system. It is ready to install and is compatible with R744 (CO2) refrigerant. This heavy duty cabinet has a gross volume of 480 ltr. and the height of the cabinet with adjustable legs is 2080-2130mm. Adjustable legs are 130-180 mm. The depth is 848 mm without pedal door opener (920 mm incl. pedal door opener).

Ultimate flexibility with 'U' type cabinet:

The cabinet can be set to run as a refrigerator or as a freezer. Set the controller to run as either K, M or F cabinet with the following temperature ranges:

K: +2/+12°C M: -5/+12°C F: -25/-5°C

- Ready-to-install cabinet prepared for external cooling system and compatible with refrigerant R744 (CO2)
- Danfoss controller AKCC 550A with bluetooth
- Danfoss controller display AK-UI55
- Air distribution system
- Automatic fan cut-out when door is opened
- Automatic electric defrost with re-evaporation of defrost water
- Heavy duty cabinet built for climate Class 5 cooling system
- Exterior and interior of stainless steel AISI 304
- Anti-tilt shelf supports moulded into the inner lining
- LED lighting on the top panel
- Right hand hinged reversible door
- Automatic door closing
- Door lock
- Removable magnetic door gaskets
- Pedal door opener with overload protection (included as accessory)
- Pan-shaped inside base with rounded corners to catch fluids
- Low sound level
- IP21 water protection
- Comes with powerlead
- Matching design identity as the Premier counters

ACCESSORIES INCLUDED

4 grey shelves (400 x 600 mm), Pedal door opener with overload protection

OPTIONAL EXTRAS

Set of legs 130-180 mm
Grey shelf with back guard
Stainless shelf with back guard
Set of 4 stainless shelves with back guard
Set of 2 shelf supports U shape
Master key

WARRANTY PERIOD

1 Year on Parts

EXTERIOR

Stainless steel AISI 304

INTERIOR

Stainless steel AISI 304

Refrigerant compatibility: R744

CERTIFICATIONS





HOSHIZAKI

Premier U 60 DR CO2 (AKCC-B)

TECHNICAL SPECIFICATIONS

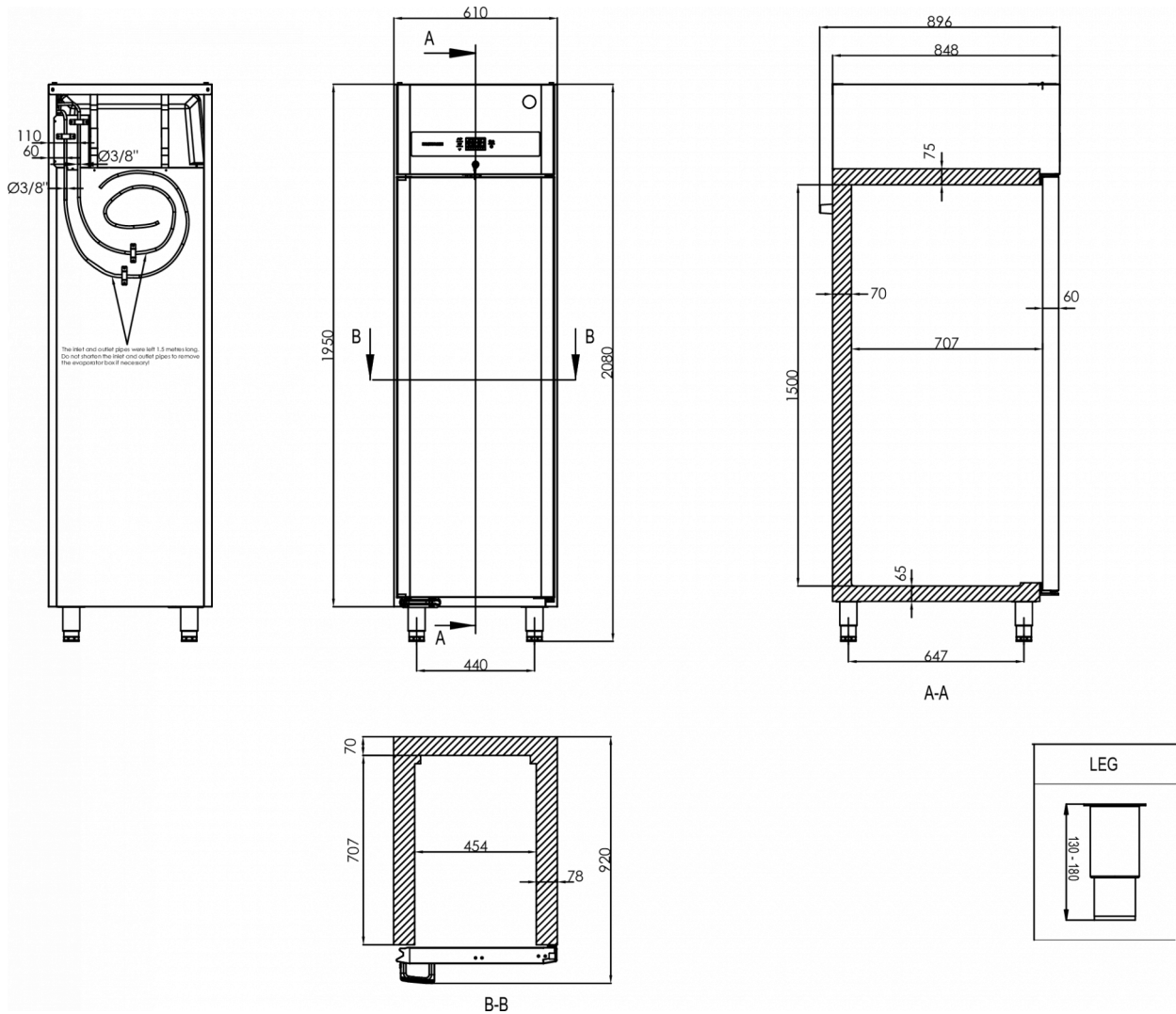
Shelf size	Volume, gross	Power supply	Min. cooling capacity K and M cabinets at -10°C	Min. cooling capacity F cabinets at -30°C	Maximum current amperage	Maximum system pressure	Connection load	Temperature Range Span	Climate class
Shelf Euronorm 400x600mm EN 1/1	480 l	230V, 50Hz	300 W	376 W	2.5 Ah	90 Bar	570 W	-25/+12°C	5 (max. ambient 40°C w/ 40% RH)

SHIPPING SPECIFICATIONS

Width (packed)	Depth (packed)	Height (packed)	Volume (packed)	Gross weight	Width	Depth	Height	Height including legs (minimum)	Height including legs (maximum)	Net weight
670 mm	975 mm	2,150 mm	1.4 m ³	100 kg	610 mm	848 mm	1,950 mm	2,080 mm	2,130 mm	90 kg

Disclaimer: Every effort has been made to ensure that the information contained in this spec sheet is accurate at the time of publishing. Hoshizaki Europe BV assumes no responsibility or liability for typographical errors or omissions or for any misinterpretation of the information within the publication and reserves the right to change without notice.

Please observe: This cabinet for connection to remote cooling system is on special order only. Please take longer lead times into consideration



Hoshizaki Belgium info@hoshizaki.nl
Hoshizaki Danmark info@hoshizaki.dk
Hoshizaki Deutschland vertrieb@hoshizaki.de
Hoshizaki France info@hoshizaki.fr
Hoshizaki Iberia info@hoshizaki.es
Hoshizaki Italia commerciale@hoshizaki.it
Hoshizaki Middle East sales.ex@hoshizaki-europe.com

Hoshizaki Netherlands info@hoshizaki.nl
Hoshizaki Norge salg@hoshizaki.no
Hoshizaki Sverige orderSE@hoshizaki.dk
Hoshizaki UK uksales@hoshizaki.uk
Export countries sales.ex@hoshizaki-europe.com
Other countries sales.ex@hoshizaki-europe.com

www.hoshizaki-europe.com