



HOSHIZAKI

Premier U 60 DR U Ru1 Refrigerator/Freezer 'U' type with RU1 valve for remote cooling system



1 / 1 EN

ACCESSORIES INCLUDED

4 grey shelves (400 x 600 mm), Pedal door opener with overload protection

OPTIONAL EXTRAS

Set of legs 130-180 mm
Grey shelf with back guard
Stainless shelf with back guard
Set of 4 stainless shelves with back guard
Set of 2 shelf supports for EN 1/1, U shape
Master key

PRODUCT SERIES: PREMIER 60
ITEM NUMBER: 188601031
COUNTRY OF ORIGIN: TURKEY

Hoshizaki Premier U 60 DR U Ru1 is suitable for the Euronorm 1/1 system (400 x 600mm) and with RU1 valve for connection to a remote cooling system. It is ready to install and is compatible with multiple refrigerants. This heavy duty cabinet has a gross volume of 480 ltr. and the height of the cabinet with adjustable legs is 2080-2130mm. Adjustable legs are 130-180mm. The depth is 848mm without pedal door opener (920mm incl. pedal door opener).

Ultimate flexibility with 'U' type cabinet:

The cabinet can be set to run as a refrigerator or as a freezer. Set the controller to run as either K, M or F cabinet with the following temperature ranges:

K: +2/+12°C M: -5/+12°C F: -25/-5°C.

- Ready-to-install cabinet with RU1 valve
- Air circulation system
- Automatic fan cut-out when door is opened
- Automatic electric defrost with re-evaporation of defrost water
- Heavy duty cabinet
- Tested to Climate Class 5
- Exterior and interior of stainless steel AISI 304
- Stainless steel wall rails and adjustable shelf supports
- LED lighting on the top panel
- Right hand hinged reversible door
- Automatic door closing
- Door lock
- Removable magnetic door gaskets
- Pedal door opener with overload protection (included as accessory)
- Pan-shaped inside base with rounded corners to catch fluids
- Low sound level
- IP21 water protection
- Matching design identity as the Premier counters

WARRANTY PERIOD

1 Year on Parts

EXTERIOR

Stainless steel AISI 304

INTERIOR

Stainless steel AISI 304

Refrigerant compatibility: R448A, R449A, R455A

CERTIFICATIONS





HOSHIZAKI

Premier U 60 DR U Ru1

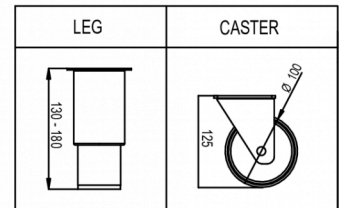
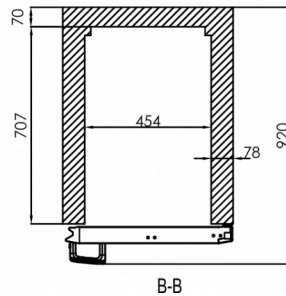
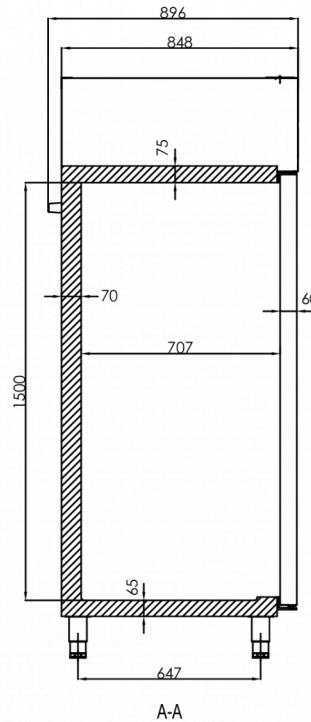
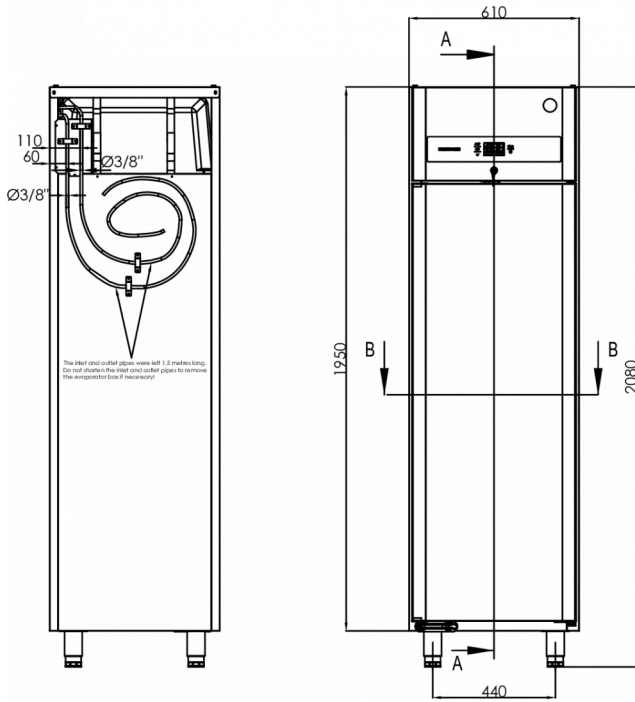
TECHNICAL SPECIFICATIONS

Shelf size	Volume, gross	Power supply	Min. cooling capacity K and M cabinets at -10°C	Min. cooling capacity F cabinets at -30°C	Maximum current amperage	Maximum system pressure	Connection load	Temperature Range Span	Climate class
Shelf Euronorm 400x600mm EN 1/1	480 l	230V, 50Hz	300 W	376 W	2.5 Ah	90 Bar	570 W	-25/+12°C	5 (max. ambient 40°C w/ 40% RH)

SHIPPING SPECIFICATIONS

Width (packed)	Depth (packed)	Height (packed)	Volume (packed)	Gross weight	Width	Depth	Height	Height including legs (minimum)	Height including legs (maximum)	Net weight
670 mm	975 mm	2,150 mm	1.404 m3	100 kg	610 mm	848 mm	1,950 mm	2,080 mm	2,130 mm	90 kg

Disclaimer: Every effort has been made to ensure that the information contained in this spec sheet is accurate at the time of publishing. Hoshizaki Europe BV assumes no responsibility or liability for typographical errors or omissions or for any misinterpretation of the information within the publication and reserves the right to change without notice.



Hoshizaki Belgium
Hoshizaki Danmark
Hoshizaki Deutschland
Hoshizaki France
Hoshizaki Iberia
Hoshizaki Italia
Hoshizaki Middle East

info@hoshizaki.nl
info@hoshizaki.dk
vertrieb@hoshizaki.de
info@hoshizaki.fr
info@hoshizaki.es
commerciale@hoshizaki.it
sales.ex@hoshizaki-europe.com

Hoshizaki Netherlands info@hoshizaki.nl
Hoshizaki Norge salg@hoshizaki.no
Hoshizaki Sverige orderSE@hoshizaki.dk
Hoshizaki UK uksales@hoshizaki.uk
Export countries sales.ex@hoshizaki-europe.com
Other countries sales.ex@hoshizaki-europe.com

www.hoshizaki-europe.com