



# HOSHIZAKI

## Premier K 2 B 2D 2D L E 2-Section Refrigerated Counter

PRODUCT SERIES: PREMIER 270  
ITEM NUMBER: 211030033100  
COUNTRY OF ORIGIN: TURKEY



Hoshizaki Premier K 2 B 2D 2D L E is a 2-section 1/1 GN refrigerated counter with 2 drawer sections each with 2 x 1/2 drawers and an insulation board (no worktop) for built-in under existing tabletop. It has a net usable volume of 176 ltr.

- Fan assisted cooling
- Completely front vented
- Unit can be fully integrated. Due to front venting design, no air flow is required to the underneath, sides or back of unit
- Automatic defrost with re-evaporation of defrost water
- Heavy duty cabinet and compressor compartment construction
- Climate class 5 cooling system enduring up to +40°C ambient temperature
- Exterior and interior of stainless steel AISI 304
- A compact slide out refrigeration unit for maintenance and service
- Removable condenser filter for cleaning or replacement
- Compartmentalized cooling unit that is available as one unit
- The cooling performance allows for drawer section next to compressor compartment
- Drawers with pull-out stop
- The cooling performance allows for drawer section next to compressor compartment
- Removable magnetic drawer gaskets with triple insulation area
- Pan-shaped inside base with rounded corners to catch fluids
- IP 2X water protection
- Matching design identity as the Premier cabinets



1 / 1 GN

### ACCESSORIES INCLUDED

N/A

### OPTIONAL EXTRAS

- Set of legs 125-200 mm
- Set of legs 130-180 mm
- Set of castors 125 mm
- Set of castors 150 mm
- Set of castors 200 mm
- Castor Extension Kit (extends height of castors by 50 mm)
- Door section
- Drawer section with 2 x 1/2 drawers
- Drawer section with 3 x 1/3 drawers
- Soft-close drawer Conversion Kit (for retrofit)
- Flat worktop
- Flat worktop with 50mm splashback
- Flat worktop with 100mm splashback

### WARRANTY PERIOD

**6 Years on Parts & Labour - based on country agreement**

### EXTERIOR

**Stainless steel AISI 304**

### INTERIOR

**Stainless steel AISI 304**

Refrigerant type: R600a / Refrigerant: 0.07 kg / CO2 equivalent: 0.21 kg

### CERTIFICATIONS



Energy consumption	Energy efficiency class	Energy efficiency class standard	Energy Efficiency Index (EEI)
390 kWh/year	A	ISO 22041: 2019	17.42 EEI



# HOSHIZAKI

## Premier K 2 B 2D 2D L E

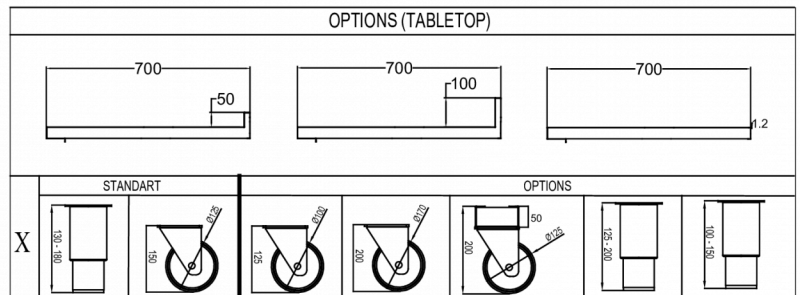
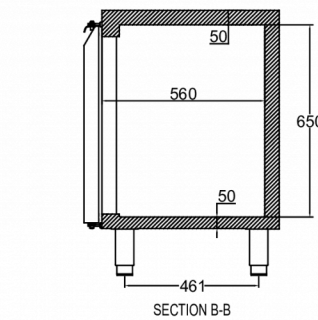
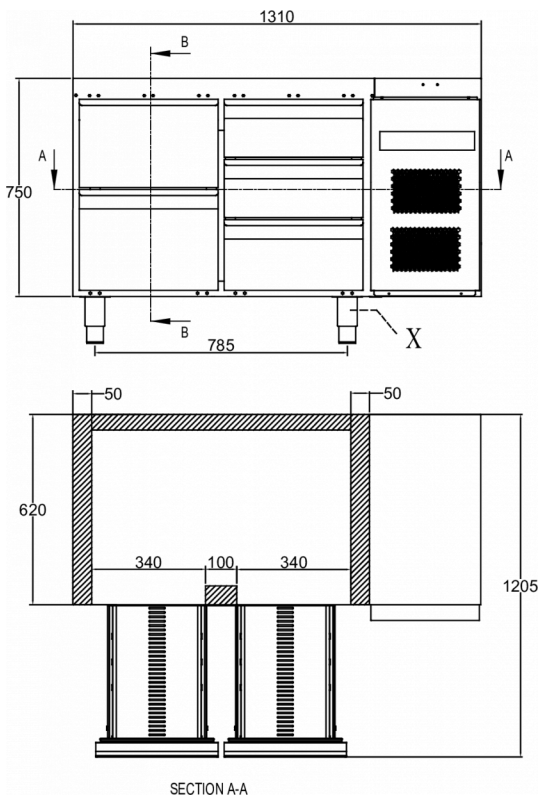
### TECHNICAL SPECIFICATIONS

Temperature range	GN tray size	Volume, gross	Net usable volume	Volume, net	Power supply	Connection load	Climate class	Sound level	Ref. capacity (at -10°C)
+2/+12°C	1/1 GN	301 l	176 l	176 l	230V, 50Hz	115 W	5 (max. ambient 40°C w/ 40% RH)	60 dB(A)	206 W

### SHIPPING SPECIFICATIONS

Width (packed)	Depth (packed)	Height (packed)	Volume (packed)	Gross weight	Width	Depth	Height	Net weight
1,340 mm	710 mm	1,079 mm	1.027 m3	98 kg	1,310 mm	680 mm	750 mm	110 kg

Disclaimer: Every effort has been made to ensure that the information contained in this spec sheet is accurate at the time of publishing. Hoshizaki Europe BV assumes no responsibility or liability for typographical errors or omissions or for any misinterpretation of the information within the publication and reserves the right to change without notice.



Hoshizaki Belgium  
 Hoshizaki Danmark  
 Hoshizaki Deutschland  
 Hoshizaki France  
 Hoshizaki Iberia  
 Hoshizaki Italia  
 Hoshizaki Middle East

[info@hoshizaki.nl](mailto:info@hoshizaki.nl)  
[info@hoshizaki.dk](mailto:info@hoshizaki.dk)  
[vertrieb@hoshizaki.de](mailto:vertrieb@hoshizaki.de)  
[info@hoshizaki.fr](mailto:info@hoshizaki.fr)  
[info@hoshizaki.es](mailto:info@hoshizaki.es)  
[commerciale@hoshizaki.it](mailto:commerciale@hoshizaki.it)  
[sales.ex@hoshizaki-europe.com](mailto:sales.ex@hoshizaki-europe.com)

Hoshizaki Netherlands [info@hoshizaki.nl](mailto:info@hoshizaki.nl)  
 Hoshizaki Norge [salg@hoshizaki.no](mailto:salg@hoshizaki.no)  
 Hoshizaki Sverige [orderSE@hoshizaki.dk](mailto:orderSE@hoshizaki.dk)  
 Hoshizaki UK [uksales@hoshizaki.uk](mailto:uksales@hoshizaki.uk)  
 Export countries [sales.ex@hoshizaki-europe.com](mailto:sales.ex@hoshizaki-europe.com)  
 Other countries [sales.ex@hoshizaki-europe.com](mailto:sales.ex@hoshizaki-europe.com)

[www.hoshizaki-europe.com](http://www.hoshizaki-europe.com)



# HOSHIZAKI

## Premier K 2 B 2D 2D L E



Hoshizaki Belgium [info@hoshizaki.nl](mailto:info@hoshizaki.nl)  
Hoshizaki Danmark [info@hoshizaki.dk](mailto:info@hoshizaki.dk)  
Hoshizaki Deutschland [vertrieb@hoshizaki.de](mailto:vertrieb@hoshizaki.de)  
Hoshizaki France [info@hoshizaki.fr](mailto:info@hoshizaki.fr)  
Hoshizaki Iberia [info@hoshizaki.es](mailto:info@hoshizaki.es)  
Hoshizaki Italia [commerciale@hoshizaki.it](mailto:commerciale@hoshizaki.it)  
Hoshizaki Middle East [sales.ex@hoshizaki-europe.com](mailto:sales.ex@hoshizaki-europe.com)

Hoshizaki Netherlands [info@hoshizaki.nl](mailto:info@hoshizaki.nl)  
Hoshizaki Norge [salg@hoshizaki.no](mailto:salg@hoshizaki.no)  
Hoshizaki Sverige [orderSE@hoshizaki.dk](mailto:orderSE@hoshizaki.dk)  
Hoshizaki UK [uksales@hoshizaki.uk](mailto:uksales@hoshizaki.uk)  
Export countries [sales.ex@hoshizaki-europe.com](mailto:sales.ex@hoshizaki-europe.com)  
Other countries [sales.ex@hoshizaki-europe.com](mailto:sales.ex@hoshizaki-europe.com)

[www.hoshizaki-europe.com](http://www.hoshizaki-europe.com)