



# HOSHIZAKI

## Premier K 2 B 3D 3D L E 2-Section Refrigerated Counter

PRODUCT SERIES: PREMIER 270  
ITEM NUMBER: 211030044100  
COUNTRY OF ORIGIN: TURKEY



Hoshizaki Premier K 2 B 3D 3D L E is a 2-section 1/1 GN refrigerated counter with 2 drawer sections each with 3 x 1/3 drawers and an insulation board (no worktop) for built-in under existing tabletop. It has a net usable volume of 155 ltr.

- Fan assisted cooling
- Completely front vented
- Unit can be fully integrated. Due to front venting design, no air flow is required to the underneath, sides or back of unit
- Automatic defrost with re-evaporation of defrost water
- Heavy duty cabinet and compressor compartment construction
- Climate class 5 cooling system enduring up to +40°C ambient temperature
- Exterior and interior of stainless steel AISI 304
- A compact slide out refrigeration unit for maintenance and service
- Removable condenser filter for cleaning or replacement
- Compartmentalized cooling unit that is available as one unit
- Drawers with pull-out stop
- 3 x 1/3 drawer sets compatible with 150 mm deep GN pans
- The cooling performance allows for drawer section next to compressor compartment
- Removable magnetic drawer gaskets with triple insulation area
- Pan-shaped inside base with rounded corners to catch fluids
- IP 2X water protection
- Matching design identity as the Premier cabinets



**1 / 1 GN**

### ACCESSORIES INCLUDED

N/A

### OPTIONAL EXTRAS

- Set of legs 125-200 mm
- Set of legs 130-180 mm
- Set of castors 125 mm
- Set of castors 150 mm
- Set of castors 200 mm
- Castor Extension Kit (extends height of castors by 50 mm)
- Door section
- Drawer section with 2 x 1/2 drawers
- Drawer section with 3 x 1/3 drawers
- Soft-close drawer Conversion Kit (for retrofit)
- Flat worktop
- Flat worktop with 50mm splashback
- Flat worktop with 100mm splashback

### WARRANTY PERIOD

**6 Years on Parts & Labour -  
based on country agreement**

### EXTERIOR

**Stainless steel AISI 304**

### INTERIOR

**Stainless steel AISI 304**

Refrigerant type: R600a / Refrigerant: 0,07 kg / CO2 equivalent: 0,21 kg

### CERTIFICATIONS



Energy consumption	Energy efficiency class	Energy efficiency class standard	Energy Efficiency Index (EEI)
390 kWh/year	A	ISO 22041: 2019	17,85 EEI

Hoshizaki Europe B.V.  
Burgemeester Stramanweg 101  
1101 AA Amsterdam  
The Netherlands

HEBV Amsterdam office T. +31 (0)20 691 8499  
Export line direct T. +31 (0)20 565 0429  
[sales.ex@hoshizaki-europe.com](mailto:sales.ex@hoshizaki-europe.com)  
[service.ex@hoshizaki-europe.com](mailto:service.ex@hoshizaki-europe.com)  
[www.hoshizaki-europe.com](http://www.hoshizaki-europe.com)



# HOSHIZAKI

## Premier K 2 B 3D 3D L E

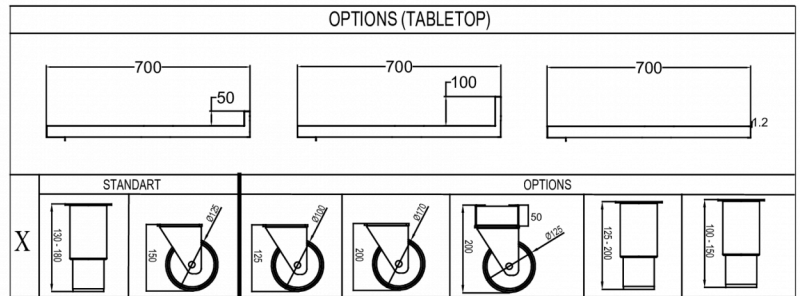
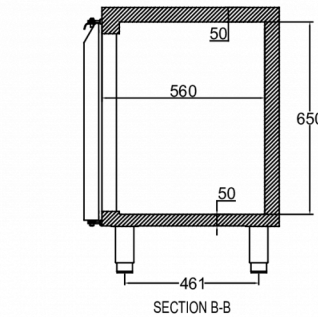
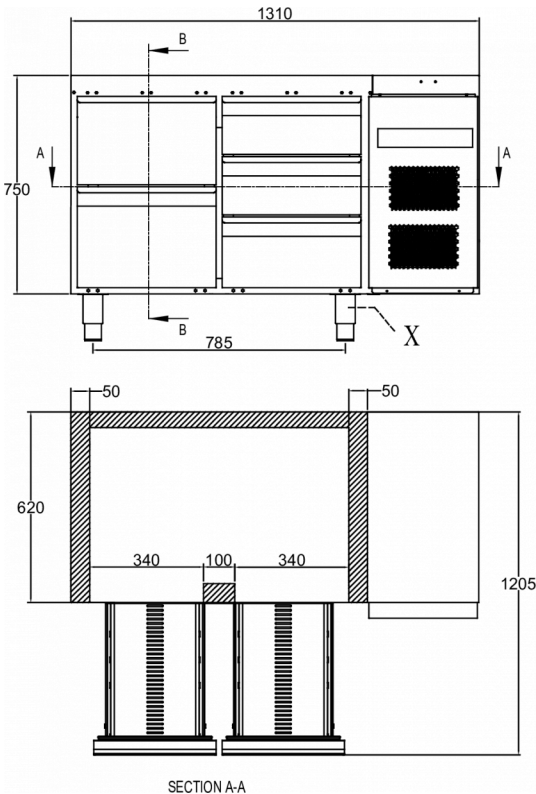
### TECHNICAL SPECIFICATIONS

Temperature range	GN tray size	Volume, gross	Net usable volume	Climate class	Sound level
+2/+12°C	1/1 GN	301 l	155 l	5 (max. ambient 40°C w/ 40% RH)	60 dB(A)
Power supply		Connection load		Ref. capacity (at -10°C)	
230V, 50Hz		115 W		206 W	

### SHIPPING SPECIFICATIONS

Width (packed)	Depth (packed)	Height (packed)	Volume (packed)	Gross weight	Width	Depth	Height	Height including legs (minimum)	Height including legs (maximum)	Net weight
1.340 mm	710 mm	1.079 mm	1,027 m <sup>3</sup>	117 kg	1.310 mm	680 mm	750 mm	880 mm	930 mm	105 kg

Disclaimer: Every effort has been made to ensure that the information contained in this spec sheet is accurate at the time of publishing. Hoshizaki Europe BV assumes no responsibility or liability for typographical errors or omissions or for any misinterpretation of the information within the publication and reserves the right to change without notice.



Hoshizaki Belgium  
Hoshizaki Danmark  
Hoshizaki Deutschland  
Hoshizaki France  
Hoshizaki Iberia  
Hoshizaki Italia  
Hoshizaki Middle East

[info@hoshizaki.nl](mailto:info@hoshizaki.nl)  
[info@hoshizaki.dk](mailto:info@hoshizaki.dk)  
[vertrieb@hoshizaki.de](mailto:vertrieb@hoshizaki.de)  
[info@hoshizaki.fr](mailto:info@hoshizaki.fr)  
[info@hoshizaki.es](mailto:info@hoshizaki.es)  
[commerciale@hoshizaki.it](mailto:commerciale@hoshizaki.it)  
[sales.ex@hoshizaki-europe.com](mailto:sales.ex@hoshizaki-europe.com)

Hoshizaki Netherlands [info@hoshizaki.nl](mailto:info@hoshizaki.nl)  
Hoshizaki Norge [salg@hoshizaki.no](mailto:salg@hoshizaki.no)  
Hoshizaki Sverige [order@hoshizaki.se](mailto:order@hoshizaki.se)  
Hoshizaki UK [uksales@hoshizaki.uk](mailto:uksales@hoshizaki.uk)  
Export countries [sales.ex@hoshizaki-europe.com](mailto:sales.ex@hoshizaki-europe.com)  
Other countries [sales.ex@hoshizaki-europe.com](mailto:sales.ex@hoshizaki-europe.com)

[www.hoshizaki-europe.com](http://www.hoshizaki-europe.com)



# HOSHIZAKI

## Premier K 2 B 3D 3D L E

