



HOSHIZAKI

Premier K 2 PT DL DR L E 2-Section Refrigerated Counter with Prep top worktop



PRODUCT SERIES: PREMIER 270
ITEM NUMBER: 211070012100
COUNTRY OF ORIGIN: TURKEY

Hoshizaki Premier K 2 PT DL DR L E is a 2-section 1/1 GN refrigerated counter with two doors and a prep top worktop with an insulated hinged lid (with handle). It has a gross volume of 301 ltr. The shelf width is 325 mm.

- 7 x 1/3 Gastronorm containers 100 mm deep can be fitted into the worktop (GN containers not supplied)
- Max depth GN-containers 150 mm
- With insulated night lid
- Fan assisted cooling
- Completely front vented
- Unit can be fully integrated. Due to front venting design, no air flow is required to the underneath, sides or back of unit
- Automatic defrost with re-evaporation of defrost water
- Heavy duty cabinet and compressor compartment construction
- Climate class 5 cooling system enduring up to +40°C ambient temperature
- Exterior and interior of stainless steel AISI 304
- A compact slide out refrigeration unit for maintenance and service
- Removable condenser filter for cleaning or replacement
- Compartmentalized cooling unit that is available as one unit
- Reversible doors
- Anti-tilt shelves
- Removable magnetic door gaskets with triple insulation area
- Pan-shaped inside base with rounded corners to catch fluids
- IP 21 water protection
- Matching design identity as the Premier cabinets



1 / 1 GN

ACCESSORIES INCLUDED

2 grey shelves per door section

OPTIONAL EXTRAS

Set of legs 100-150 mm
 Set of legs 125-200 mm
 Set of legs 130-180 mm
 Set of castors 125 mm
 Set of castors 150 mm
 Set of castors 200 mm
 Castor Extension Kit (extends height of castors by 50 mm)
 Stainless shelf, 325 x 53 0mm
 Grey shelf, 325 x 530 mm
 2 x shelf supports
 Door section

WARRANTY PERIOD

**6 Years on Parts & Labour -
based on country agreement**

EXTERIOR

Stainless steel AISI 304

INTERIOR

Stainless steel AISI 304

Refrigerant type: R290 / Refrigerant: 0,09 kg / CO2 equivalent: 0,27 kg

CERTIFICATIONS





HOSHIZAKI

Premier K 2 PT DL DR L E

TECHNICAL SPECIFICATIONS

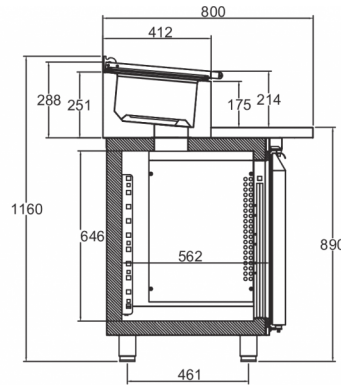
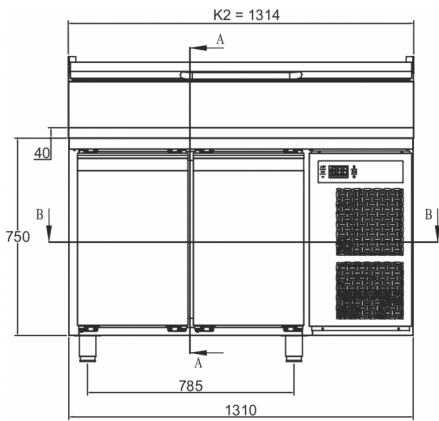
Temperature range	Shelf size	Volume, gross	Climate class
+2/+12°C	1/1 GN	301 l	5 (max. ambient 40°C w/ 40% RH)

Power supply	Connection load	Ref. capacity (at -10°C)
230V, 50Hz	280 W	633 W

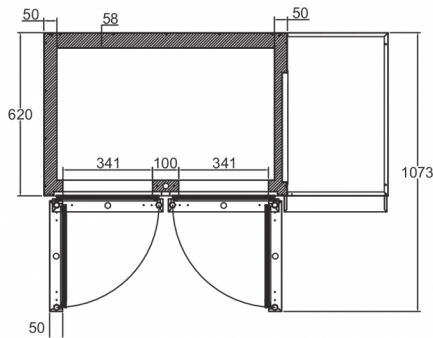
SHIPPING SPECIFICATIONS

Width (packed)	Depth (packed)	Height (packed)	Volume (packed)	Gross weight	Width	Depth	Height	Height including legs (minimum)	Height including legs (maximum)	Net weight
1.340 mm	830 mm	1.375 mm	1,529 m ³	162 kg	1.314 mm	800 mm	1.060 mm	1.190 mm	1.240 mm	150 kg

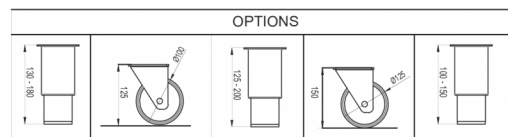
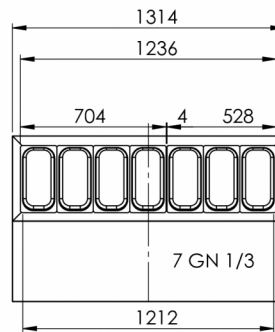
Disclaimer: Every effort has been made to ensure that the information contained in this spec sheet is accurate at the time of publishing. Hoshizaki Europe BV assumes no responsibility or liability for typographical errors or omissions or for any misinterpretation of the information within the publication and reserves the right to change without notice.



SECTION A-A



SECTION B-B



Hoshizaki Belgium
 Hoshizaki Danmark
 Hoshizaki Deutschland
 Hoshizaki France
 Hoshizaki Iberia
 Hoshizaki Italia
 Hoshizaki Middle East

info@hoshizaki.nl
info@hoshizaki.dk
vertrieb@hoshizaki.de
info@hoshizaki.fr
info@hoshizaki.es
commerciale@hoshizaki.it
sales.ex@hoshizaki-europe.com

Hoshizaki Netherlands info@hoshizaki.nl
 Hoshizaki Norge salg@hoshizaki.no
 Hoshizaki Sverige order@hoshizaki.se
 Hoshizaki UK uksales@hoshizaki.uk
 Export countries sales.ex@hoshizaki-europe.com
 Other countries sales.ex@hoshizaki-europe.com

www.hoshizaki-europe.com