



# HOSHIZAKI

## Premier M 2 A DL DR L E CO2 2-Section Refrigerated Counter with Extended Refrigeration, without controller for remote cooling system

PRODUCT SERIES: PREMIER 270  
ITEM NUMBER: 212000012102  
COUNTRY OF ORIGIN: TURKEY

Hoshizaki Premier M 2 A DL DR L E CO2 is a 2-section 1/1 GN refrigerated counter with extended refrigeration, two doors and a flat worktop. It has a gross volume of 301 ltr. The shelf width is 325 mm.

This model is for connection to a remote cooling system and is compatible with R744 (CO2) refrigerant. It does not include factory fitted controller or pressure transmitter. These are the installer's choice. Combine this product with a controller from alternative controller manufacturers.



- For connection to external cooling system and compatible with refrigerant R744 (CO2)
- Prepared for easy integration of installer's preferred controller
- Standard controller display cut-out, size H29 x W71 mm.
- Includes expansion valve
- Fan assisted cooling
- Automatic defrost with re-evaporation of defrost water
- Built for climate class 5 cooling system enduring up to +40°C / 60%RH ambient temperature
- Exterior and interior of stainless steel AISI 304
- Reversible doors
- Anti-tilt shelves
- Removable magnetic door gaskets with triple insulation area
- Pan-shaped inside base with rounded corners to catch fluids
- IP 21 water protection
- Matching design identity as the Premier cabinets



**1 / 1 GN**

### ACCESSORIES INCLUDED

2 grey shelves per door section

### OPTIONAL EXTRAS

- Set of legs 100-150 mm
- Set of legs 125-200 mm
- Set of legs 130-180 mm
- Stainless shelf, 325 x 530mm
- Grey shelf, 325 x 530mm
- Shelf supports, 2 of
- Door section
- Drawer section with 2 x 1/2 drawers
- Drawer section with 3 x 1/3 drawers
- Flat worktop
- Flat worktop with 50mm splashback
- Flat worktop with 100mm splashback

### WARRANTY PERIOD

**1 Year on Parts**

### EXTERIOR

**Stainless steel AISI 304**

### INTERIOR

**Stainless steel AISI 304**

Refrigerant compatibility: R744

### CERTIFICATIONS





# HOSHIZAKI

## Premier M 2 A DL DR L E CO2

### TECHNICAL SPECIFICATIONS

Shelf size	Volume, gross	Climate class
1/1 GN	301 l	5 (max. ambient 40°C w/ 40% RH)

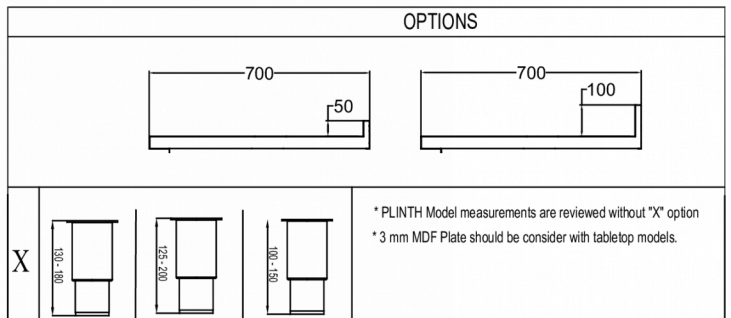
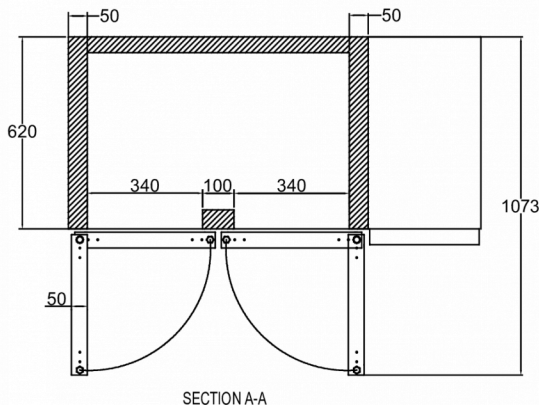
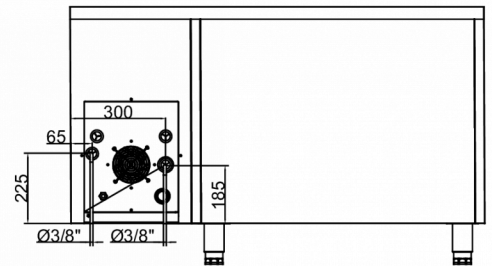
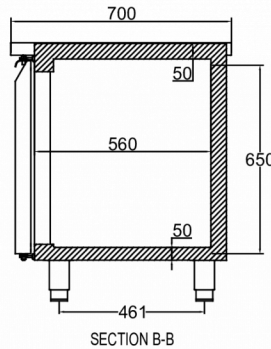
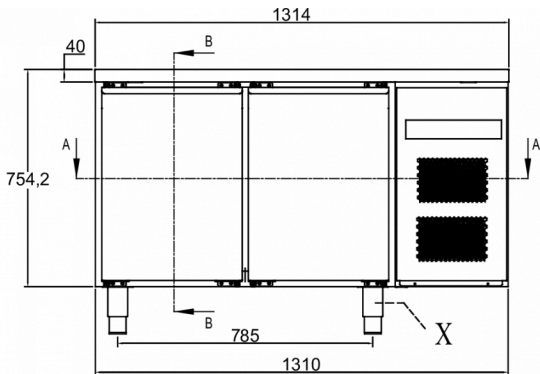
Power supply	Maximum current amperage	Maximum system pressure	Connection load
230V, 50Hz	2.6 Ah	90 Bar	600 W

### SHIPPING SPECIFICATIONS

Width (packed)	Depth (packed)	Height (packed)	Volume (packed)	Gross weight	Width	Depth	Height	Height including legs (minimum)	Height including legs (maximum)	Net weight
1,400 mm	820 mm	986 mm	1.13 m <sup>3</sup>	86 kg	1,314 mm	700 mm	751.2 mm	884.2 mm	934.2 mm	78 kg

Disclaimer: Every effort has been made to ensure that the information contained in this spec sheet is accurate at the time of publishing. Hoshizaki Europe BV assumes no responsibility or liability for typographical errors or omissions or for any misinterpretation of the information within the publication and reserves the right to change without notice.

Please observe: This counter for connection to remote cooling system is on special order only. Please take longer lead times into consideration



Hoshizaki Belgium  
 Hoshizaki Danmark  
 Hoshizaki Deutschland  
 Hoshizaki France  
 Hoshizaki Iberia  
 Hoshizaki Italia  
 Hoshizaki Middle East

[info@hoshizaki.nl](mailto:info@hoshizaki.nl)  
[info@hoshizaki.dk](mailto:info@hoshizaki.dk)  
[vertrieb@hoshizaki.de](mailto:vertrieb@hoshizaki.de)  
[info@hoshizaki.fr](mailto:info@hoshizaki.fr)  
[info@hoshizaki.es](mailto:info@hoshizaki.es)  
[commerciale@hoshizaki.it](mailto:commerciale@hoshizaki.it)  
[sales.ex@hoshizaki-europe.com](mailto:sales.ex@hoshizaki-europe.com)

Hoshizaki Netherlands [info@hoshizaki.nl](mailto:info@hoshizaki.nl)  
 Hoshizaki Norge [salg@hoshizaki.no](mailto:salg@hoshizaki.no)  
 Hoshizaki Sverige [orderSE@hoshizaki.dk](mailto:orderSE@hoshizaki.dk)  
 Hoshizaki UK [uksales@hoshizaki.uk](mailto:uksales@hoshizaki.uk)  
 Export countries [sales.ex@hoshizaki-europe.com](mailto:sales.ex@hoshizaki-europe.com)  
 Other countries [sales.ex@hoshizaki-europe.com](mailto:sales.ex@hoshizaki-europe.com)

[www.hoshizaki-europe.com](http://www.hoshizaki-europe.com)