



HOSHIZAKI

Premier F 2 A1 DL DR L E 2-Section Freezer Counter

PRODUCT SERIES: PREMIER 270
ITEM NUMBER: 213020012100
COUNTRY OF ORIGIN: TURKEY



Hoshizaki Premier F 2 A1 DL DR L E is a 2-section 1/1 GN freezer counter with 2 doors and a worktop with 100 mm splashback. It has a net usable volume of 192 ltr. The shelf width is 325 mm.

- Fan assisted cooling
- Completely front vented
- Unit can be fully integrated. Due to front venting design, no air flow is required to the underneath, sides or back of unit
- Automatic defrost with re-evaporation of defrost water
- Heavy duty cabinet and compressor compartment construction
- Climate class 5 cooling system enduring up to +40°C ambient temperature
- Exterior and interior of stainless steel AISI 304
- A compact slide out refrigeration unit for maintenance and service
- Removable condenser filter for cleaning or replacement
- Compartmentalized cooling unit that is available as one unit
- Reversible doors
- Anti-tilt shelves
- Removable magnetic door gaskets with triple insulation area
- Pan-shaped inside base with rounded corners to catch fluids
- IP 2X water protection
- Matching design identity as the Premier cabinets



1 / 1 GN

ACCESSORIES INCLUDED

2 grey steel shelves per section

OPTIONAL EXTRAS

- Set of legs 125-200 mm
- Set of legs 130-180 mm
- Set of castors 125 mm
- Set of castors 150 mm
- Set of castors 200 mm
- Castor Extension Kit (extends height of castors by 50 mm)
- Stainless shelf, 325 x 530mm
- Grey shelf, 325 x 530mm
- Shelf supports, 2 of
- Door section
- Flat worktop
- Flat worktop with 50 mm splashback
- Flat worktop with 100 mm splashback

WARRANTY PERIOD

**6 Years on Parts & Labour -
based on country agreement**

EXTERIOR

Stainless steel AISI 304

INTERIOR

Stainless steel AISI 304

Refrigerant type: R290 / Refrigerant: 0,055 kg / CO2 equivalent: 0,165 kg

CERTIFICATIONS



Energy consumption	Energy efficiency class	Energy efficiency class standard	Energy Efficiency Index (EEI)
1.410 kWh/year	C	ISO 22041: 2019	40,26 EEI

Hoshizaki Europe B.V.
Burgemeester Stramanweg 101
1101 AA Amsterdam
The Netherlands

HEBV Amsterdam office T. +31 (0)20 691 8499
Export line direct T. +31 (0)20 565 0429
sales.ex@hoshizaki-europe.com
service.ex@hoshizaki-europe.com
www.hoshizaki-europe.com



HOSHIZAKI

Premier F 2 A1 DL DR L E

TECHNICAL SPECIFICATIONS

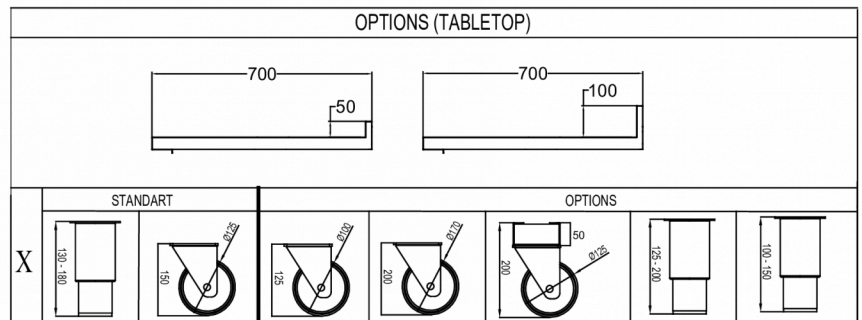
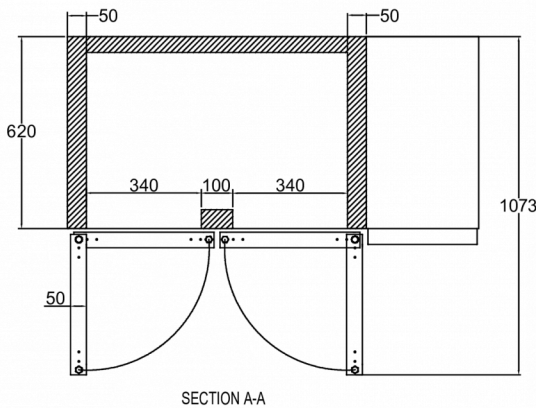
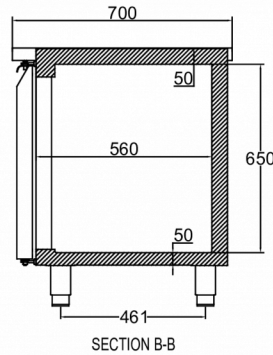
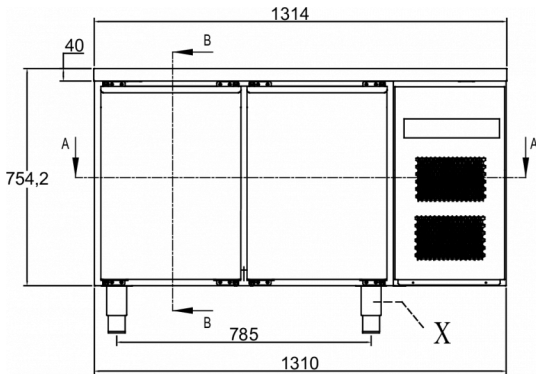
Temperature range	Shelf size	Volume, gross	Net usable volume	Volume, net	Climate class	Sound level
-25/-5°C	1/1 GN	301 l	192 l	192 l	5 (max. ambient 40°C w/ 40% RH)	45 dB(A)

Power supply	Connection load	Ref. capacity (at -30°C)
230V, 50Hz	425 W	376 W

SHIPPING SPECIFICATIONS

Width (packed)	Depth (packed)	Height (packed)	Volume (packed)	Gross weight	Width	Depth	Height	Height including legs (minimum)	Height including legs (maximum)	Net weight
1.340 mm	730 mm	1.181 mm	1,17 m3	114 kg	1.314 mm	700 mm	854,2 mm	884,2 mm	934,2 mm	102 kg

Disclaimer: Every effort has been made to ensure that the information contained in this spec sheet is accurate at the time of publishing. Hoshizaki Europe BV assumes no responsibility or liability for typographical errors or omissions or for any misinterpretation of the information within the publication and reserves the right to change without notice.



Hoshizaki Belgium
 Hoshizaki Danmark
 Hoshizaki Deutschland
 Hoshizaki France
 Hoshizaki Iberia
 Hoshizaki Italia
 Hoshizaki Middle East

info@hoshizaki.nl
info@hoshizaki.dk
vertrieb@hoshizaki.de
info@hoshizaki.fr
info@hoshizaki.es
commerciale@hoshizaki.it
sales.ex@hoshizaki-europe.com

Hoshizaki Netherlands info@hoshizaki.nl
 Hoshizaki Norge salg@hoshizaki.no
 Hoshizaki Sverige order@hoshizaki.se
 Hoshizaki UK uksales@hoshizaki.uk
 Export countries sales.ex@hoshizaki-europe.com
 Other countries sales.ex@hoshizaki-europe.com

www.hoshizaki-europe.com