



# HOSHIZAKI

## Premier F 3 A DL DL DR L E CO2

### 3-Section Freezer Counter without controller for remote cooling system



PRODUCT SERIES: PREMIER 370  
ITEM NUMBER: 313000112102  
COUNTRY OF ORIGIN: TURKEY

Hoshizaki Premier F 3 A DL DL DR L E CO2 is a 3-section 1/1 GN freezer counter with three doors and a flat worktop. It has a gross volume of 463 ltr. The shelf width is 325 mm.

This model is for connection to a remote cooling system and is compatible with R744 (CO2) refrigerant. It does not include factory fitted controller or pressure transmitter. These are the installer's choice. Combine this product with a controller from alternative controller manufacturers.

- For connection to external cooling system and compatible with refrigerant R744 (CO2)
- Prepared for easy integration of installer's preferred controller
- Standard controller display cut-out, size H29 x W71 mm.
- Includes expansion valve
- Fan assisted cooling
- Automatic defrost with re-evaporation of defrost water
- Built for climate class 5 cooling system enduring up to +40°C / 60%RH ambient temperature
- Exterior and interior of stainless steel AISI 304
- Reversible doors
- Anti-tilt shelves
- Removable magnetic door gaskets with triple insulation area
- Pan-shaped inside base with rounded corners to catch fluids
- IP 21 water protection
- Matching design identity as the Premier cabinets



**1 / 1 GN**

#### ACCESSORIES INCLUDED

2 grey shelves per door section

#### OPTIONAL EXTRAS

- Set of legs 100-150 mm
- Set of legs 125-200 mm
- Set of legs 130-180 mm
- Stainless shelf, 325 x 530mm
- Grey shelf, 325 x 530mm
- Shelf supports, 2 of
- Door section
- Flat worktop
- Flat worktop with 50mm splashback
- Flat worktop with 100mm splashback

#### WARRANTY PERIOD

**1 Year on Parts**

#### EXTERIOR

**Stainless steel AISI 304**

#### INTERIOR

**Stainless steel AISI 304**

Refrigerant compatibility: R744

#### CERTIFICATIONS





# HOSHIZAKI

## Premier F 3 A DL DL DR L E CO2

### TECHNICAL SPECIFICATIONS

Shelf size	Volume, gross	Climate class
1/1 GN	463 l	5 (max. ambient 40°C w/ 40% RH)

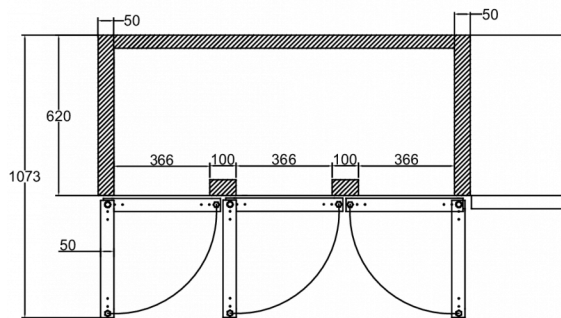
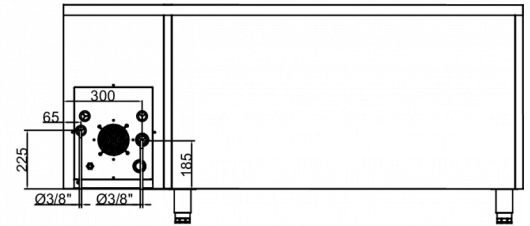
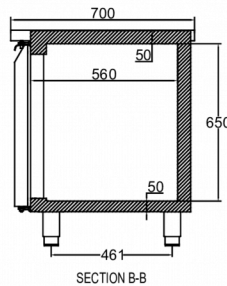
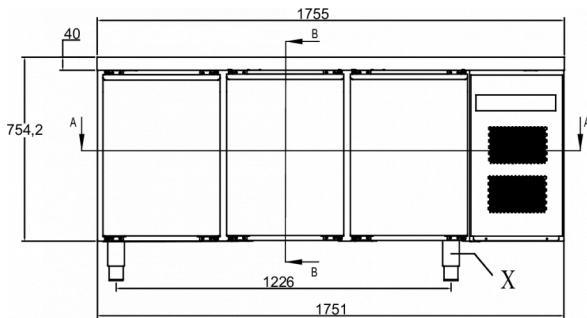
Power supply	Min. cooling capacity F cabinets at -30°C	Maximum current amperage	Maximum system pressure	Connection load
230V, 50Hz	376 W	2.6 Ah	90 Bar	620 W

### SHIPPING SPECIFICATIONS

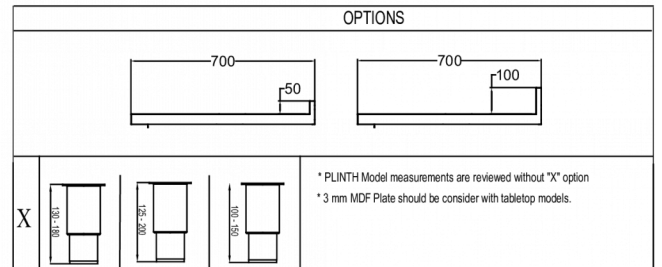
Width (packed)	Depth (packed)	Height (packed)	Volume (packed)	Gross weight	Width	Depth	Height	Height including legs (minimum)	Height including legs (maximum)	Net weight
1,835 mm	820 mm	986 mm	1.48 m <sup>3</sup>	118 kg	1,755 mm	700 mm	751.2 mm	884.2 mm	934.2 mm	108 kg

Disclaimer: Every effort has been made to ensure that the information contained in this spec sheet is accurate at the time of publishing. Hoshizaki Europe BV assumes no responsibility or liability for typographical errors or omissions or for any misinterpretation of the information within the publication and reserves the right to change without notice.

Please observe: This counter for connection to remote cooling system is on special order only. Please take longer lead times into consideration



SECTION A-A



Hoshizaki Belgium  
 Hoshizaki Danmark  
 Hoshizaki Deutschland  
 Hoshizaki France  
 Hoshizaki Iberia  
 Hoshizaki Italia  
 Hoshizaki Middle East

[info@hoshizaki.nl](mailto:info@hoshizaki.nl)  
[info@hoshizaki.dk](mailto:info@hoshizaki.dk)  
[vertrieb@hoshizaki.de](mailto:vertrieb@hoshizaki.de)  
[info@hoshizaki.fr](mailto:info@hoshizaki.fr)  
[info@hoshizaki.es](mailto:info@hoshizaki.es)  
[commerciale@hoshizaki.it](mailto:commerciale@hoshizaki.it)  
[sales.ex@hoshizaki-europe.com](mailto:sales.ex@hoshizaki-europe.com)

Hoshizaki Netherlands [info@hoshizaki.nl](mailto:info@hoshizaki.nl)  
 Hoshizaki Norge [salg@hoshizaki.no](mailto:salg@hoshizaki.no)  
 Hoshizaki Sverige [orderSE@hoshizaki.dk](mailto:orderSE@hoshizaki.dk)  
 Hoshizaki UK [uksales@hoshizaki.uk](mailto:uksales@hoshizaki.uk)  
 Export countries [sales.ex@hoshizaki-europe.com](mailto:sales.ex@hoshizaki-europe.com)  
 Other countries [sales.ex@hoshizaki-europe.com](mailto:sales.ex@hoshizaki-europe.com)

[www.hoshizaki-europe.com](http://www.hoshizaki-europe.com)