



# HOSHIZAKI

## Premier K 4 A DL DL 2D 2D L E 4-Section Refrigerated Counter

PRODUCT SERIES: PREMIER 470  
ITEM NUMBER: 411001133100  
COUNTRY OF ORIGIN: TURKEY



Hoshizaki Premier K 4 A DL DL 2D 2D L E is a 4-section 1/1 GN refrigerated counter with 2 doors, 2 drawer sections each with 2 x 1/2 drawers and a flat worktop. It has a net usable volume of 368 ltr. The shelf width is 325 mm.

- Fan assisted cooling
- Completely front vented
- Unit can be fully integrated. Due to front venting design, no air flow is required to the underneath, sides or back of unit
- Automatic defrost with re-evaporation of defrost water
- Heavy duty cabinet and compressor compartment construction
- Climate class 4 cooling system
- Exterior and interior of stainless steel AISI 304
- A compact slide out refrigeration unit for maintenance and service
- Removable condenser filter for cleaning or replacement
- Compartmentalized cooling unit that is available as one unit
- Reversible doors
- Anti-tilt shelves
- Drawers with pull-out stop
- The cooling performance allows for drawer section next to compressor compartment
- Removable magnetic door and drawer gaskets with triple insulation area
- Pan-shaped inside base with rounded corners to catch fluids
- IP 2X water protection
- Matching design identity as the Premier cabinets



**1 / 1 GN**

### ACCESSORIES INCLUDED

2 grey shelves per door section

### OPTIONAL EXTRAS

- Set of legs 125-200 mm
- Set of legs 130-180 mm
- Set of castors 125 mm
- Set of castors 150 mm
- Set of castors 200 mm
- Castor Extension Kit (extends height of castors by 50 mm)
- Stainless shelf, 325 x 530mm
- Grey shelf, 325 x 530mm
- Shelf supports, 2 of
- Soft-close drawer Conversion Kit (for retrofit)
- Door section
- Drawer section with 2 x 1/2 drawers
- Drawer section with 3 x 1/3 drawers
- Soft-close drawer Conversion Kit (for retrofit)
- Flat worktop
- Flat worktop with 50mm splashback
- Flat worktop with 100mm splashback

**WARRANTY PERIOD**  
**6 Years on Parts & Labour - based on country agreement**

**EXTERIOR**  
**Stainless steel AISI 304**

**INTERIOR**  
**Stainless steel AISI 304**

Refrigerant type: R290 / Refrigerant: 0.065 kg / CO2 equivalent: 0.195 kg

### CERTIFICATIONS



Energy consumption	Energy efficiency class	Energy efficiency class standard	Energy Efficiency Index (EEI)
588 kWh/year	A	ISO 22041: 2019	22.79 EEI



# HOSHIZAKI

## Premier K 4 A DL DL 2D 2D L E

### TECHNICAL SPECIFICATIONS

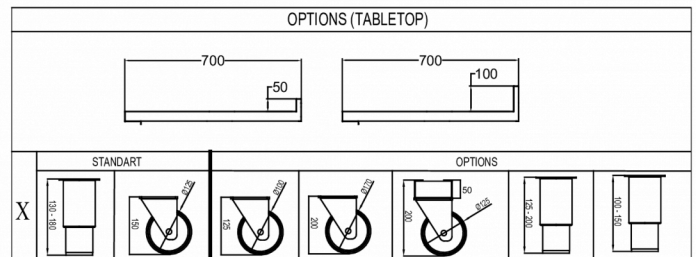
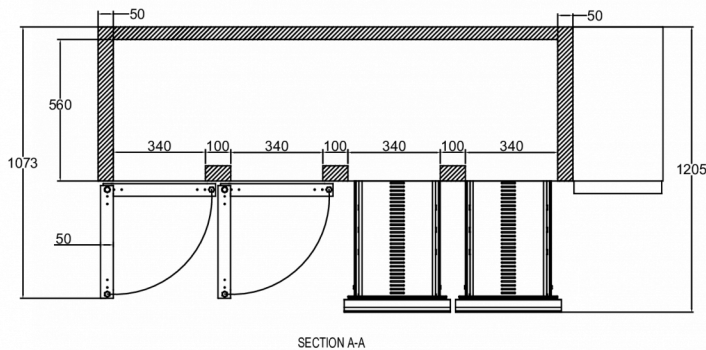
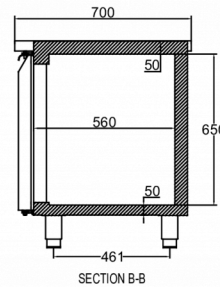
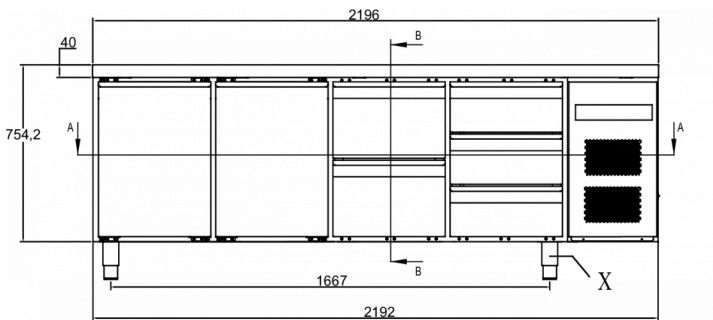
Temperature range	GN tray size	Shelf size	Volume, gross	Net usable volume	Volume, net	Climate class	Sound level
+2/+12°C	1/1 GN	1/1 GN	625 l	368 l	368 l	5 (max. ambient 40°C w/ 40% RH)	43 dB(A)

Power supply	Connection load	Ref. capacity (at -10°C)
230V, 50Hz	125 W	350 W

### SHIPPING SPECIFICATIONS

Width (packed)	Depth (packed)	Height (packed)	Volume (packed)	Gross weight	Width	Depth	Height	Net weight
2,226 mm	730 mm	1,081 mm	1.79 m3	196 kg	2,196 mm	700 mm	794.2 mm	176 kg

Disclaimer: Every effort has been made to ensure that the information contained in this spec sheet is accurate at the time of publishing. Hoshizaki Europe BV assumes no responsibility or liability for typographical errors or omissions or for any misinterpretation of the information within the publication and reserves the right to change without notice.



Hoshizaki Belgium  
Hoshizaki Danmark  
Hoshizaki Deutschland  
Hoshizaki France  
Hoshizaki Iberia  
Hoshizaki Italia  
Hoshizaki Middle East

[info@hoshizaki.nl](mailto:info@hoshizaki.nl)  
[info@hoshizaki.dk](mailto:info@hoshizaki.dk)  
[vertrieb@hoshizaki.de](mailto:vertrieb@hoshizaki.de)  
[info@hoshizaki.fr](mailto:info@hoshizaki.fr)  
[info@hoshizaki.es](mailto:info@hoshizaki.es)  
[commerciale@hoshizaki.it](mailto:commerciale@hoshizaki.it)  
[sales.ex@hoshizaki-europe.com](mailto:sales.ex@hoshizaki-europe.com)

Hoshizaki Netherlands [info@hoshizaki.nl](mailto:info@hoshizaki.nl)  
Hoshizaki Norge [salg@hoshizaki.no](mailto:salg@hoshizaki.no)  
Hoshizaki Sverige [order@hoshizaki.se](mailto:order@hoshizaki.se)  
Hoshizaki UK [uksales@hoshizaki.uk](mailto:uksales@hoshizaki.uk)  
Export countries [sales.ex@hoshizaki-europe.com](mailto:sales.ex@hoshizaki-europe.com)  
Other countries [sales.ex@hoshizaki-europe.com](mailto:sales.ex@hoshizaki-europe.com)

[www.hoshizaki-europe.com](http://www.hoshizaki-europe.com)



# HOSHIZAKI

## Premier K 4 A DL DL 2D 2D L E



Hoshizaki Belgium [info@hoshizaki.nl](mailto:info@hoshizaki.nl)  
Hoshizaki Danmark [info@hoshizaki.dk](mailto:info@hoshizaki.dk)  
Hoshizaki Deutschland [vertrieb@hoshizaki.de](mailto:vertrieb@hoshizaki.de)  
Hoshizaki France [info@hoshizaki.fr](mailto:info@hoshizaki.fr)  
Hoshizaki Iberia [info@hoshizaki.es](mailto:info@hoshizaki.es)  
Hoshizaki Italia [commerciale@hoshizaki.it](mailto:commerciale@hoshizaki.it)  
Hoshizaki Middle East [sales.ex@hoshizaki-europe.com](mailto:sales.ex@hoshizaki-europe.com)

Hoshizaki Netherlands [info@hoshizaki.nl](mailto:info@hoshizaki.nl)  
Hoshizaki Norge [salg@hoshizaki.no](mailto:salg@hoshizaki.no)  
Hoshizaki Sverige [order@hoshizaki.se](mailto:order@hoshizaki.se)  
Hoshizaki UK [uksales@hoshizaki.uk](mailto:uksales@hoshizaki.uk)  
Export countries [sales.ex@hoshizaki-europe.com](mailto:sales.ex@hoshizaki-europe.com)  
Other countries [sales.ex@hoshizaki-europe.com](mailto:sales.ex@hoshizaki-europe.com)

[www.hoshizaki-europe.com](http://www.hoshizaki-europe.com)