



# HOSHIZAKI

## PREMIER BCF RI U 200 CO2 1N DL BK

### Roll-in Unibody Blast Chiller/Freezer for remote CO2 cooling system



ITEM NUMBER: 5BMA8DQRH-40A3MC  
COUNTRY OF ORIGIN: ITALY

PREMIER BCF RI U 200 CO2 1N DL BK is a HACCP compliant blast chiller/freezer applicable for trolley GN1/1, EN60/40 or GN2/1, EN60/80. Chilling/freezing capacity of 200/160 kg.

The cabinet comes with floor, ramp, controller, wi-fi connection, Ethernet port, core probe, external condensate drain tube, USB-port and lock closure.

- 7" touch screen controller with coloured icons
- Cooling functions: Chilling, freezing, preservation, precooling, ice cream hardening, fish sanitisation, bottle cooling, pastry, cell sanitisation
- 'Hot' functions: Thawing, cell drying
- Choice of time- or temperature-controlled (probe) chill/freeze cycles
- Single probe cascade cycles, Timer cycles, Quick start
- Heated core probe
- Can be connected to wi-fi
- Ethernet port
- USB-port for HACCP data collection
- Customisable parameters
- Multiple and customisable cycle stages
- Adjustable fan speed
- Operating in ambient temperatures up to +40°C
- Hot gas defrosting
- Front access to electrical box
- Internal fan section can be opened for easy cleaning around and behind
- Left-hand hinged door (right-hand hinged door is optional)
- Heated door perimeter
- Built-in flush-mounted trolley ramp
- Evaporator with cataphoresis coating for rust protection
- Rounded internal corners
- Lock closure

#### COMPATIBLE WITH

Trolleys 2 x GN1/1, 1 x GN2/1 or 2 x EN60/40, 1 x EN60/80

#### OPTIONAL EXTRAS

- Bumpers \*
- Ozone generator \*
- Right-hand hinged door \*
- Wooden crate packaging \*
- Wooden cage packaging \*

\* Add-on = Must be specified when placing the order

#### WARRANTY PERIOD

**1 Year on Parts & Labour -  
based on country agreement**

#### EXTERIOR

**Stainless steel AISI 304**

#### INTERIOR

**Stainless steel AISI 304**

Refrigerant compatibility: R744



# HOSHIZAKI

## PREMIER BCF RI U 200 CO2 1N DL BK

### TECHNICAL SPECIFICATIONS

Cooling system	Temperature range	Climate class	Power supply	Required cooling capacity	Connection load	Fuse Rating	Chilling capacity (from +70°C to +3°C in 90 minutes)	Freezing capacity (from +70°C to -18°C in 4 hours)
For remote cooling system	-40/+40°C	5 (max. ambient 40°C w/ 40% RH)	380-420V/3N/50Hz	17,977 W	573 W	16 A	200 kg	160 kg

Net weight	Door clear opening (W x H)	Dimensions internal (W x D x H)	Dimensions external (W x D x H)
340 kg	858 x 1881,8 mm	870 mm x 957 mm x 1,881 mm	1,390 mm x 1,221 mm x 2,223 mm

### SHIPPING SPECIFICATIONS

Dimensions packed (W x D x H)	Volume (packed)	Gross weight
1,250 mm x 1,450 mm x 2,400 mm	4.4 m <sup>3</sup>	370 kg

Disclaimer: Every effort has been made to ensure that the information contained in this spec sheet is accurate at the time of publishing. Hoshizaki Europe BV assumes no responsibility or liability for typographical errors or omissions or for any misinterpretation of the information within the publication and reserves the right to change without notice.



# HOSHIZAKI

Hoshizaki Belgium  
 Hoshizaki Danmark  
 Hoshizaki Deutschland  
 Hoshizaki France  
 Hoshizaki Iberia  
 Hoshizaki Italia  
 Hoshizaki Middle East

[info@hoshizaki.nl](mailto:info@hoshizaki.nl)  
[info@hoshizaki.dk](mailto:info@hoshizaki.dk)  
[vertrieb@hoshizaki.de](mailto:vertrieb@hoshizaki.de)  
[info@hoshizaki.fr](mailto:info@hoshizaki.fr)  
[info@hoshizaki.es](mailto:info@hoshizaki.es)  
[commerciale@hoshizaki.it](mailto:commerciale@hoshizaki.it)  
[sales.ex@hoshizaki-europe.com](mailto:sales.ex@hoshizaki-europe.com)

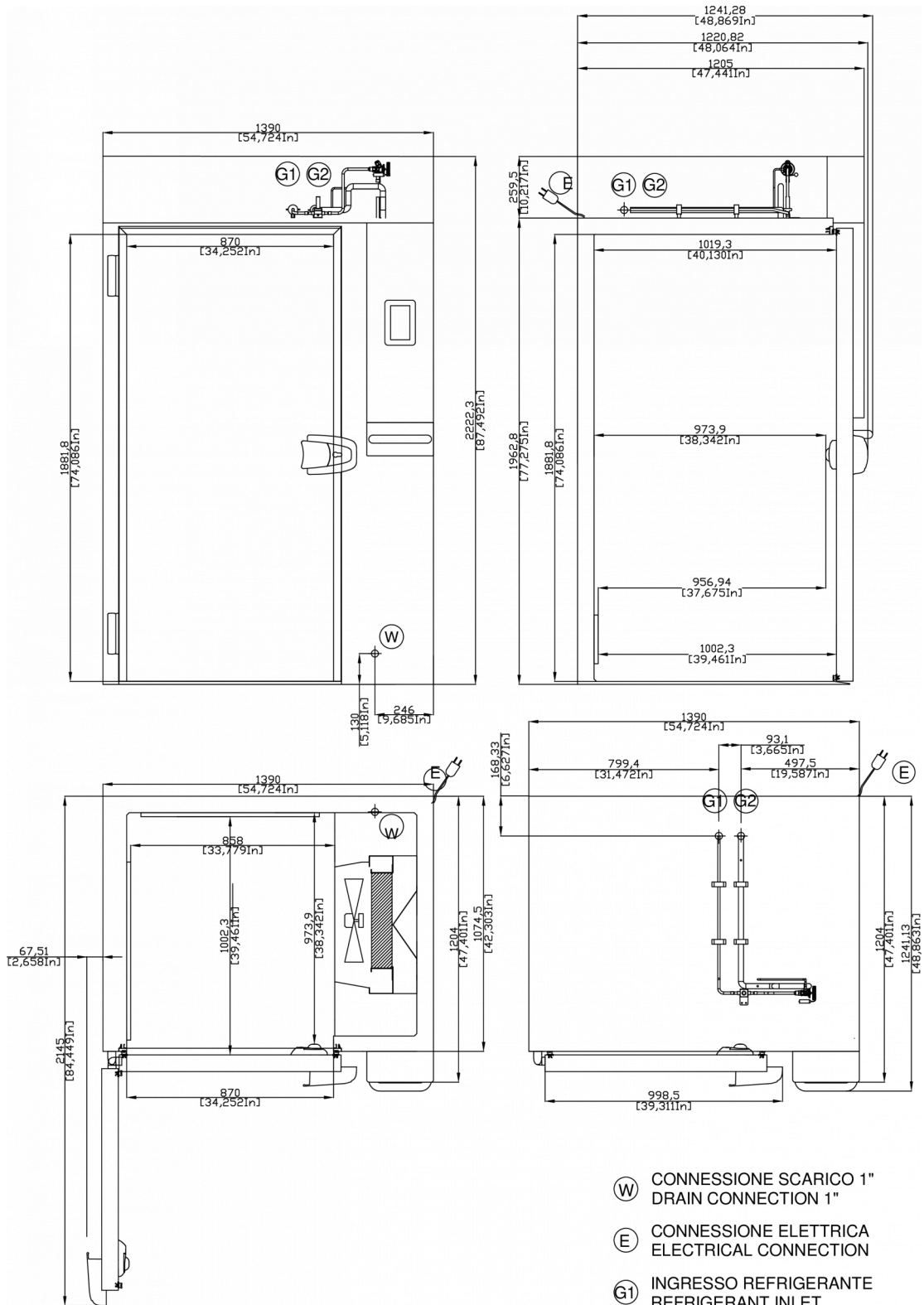
Hoshizaki Netherlands [info@hoshizaki.nl](mailto:info@hoshizaki.nl)  
 Hoshizaki Norge [salg@hoshizaki.no](mailto:salg@hoshizaki.no)  
 Hoshizaki Sverige [orderSE@hoshizaki.dk](mailto:orderSE@hoshizaki.dk)  
 Hoshizaki UK [uksales@hoshizaki.uk](mailto:uksales@hoshizaki.uk)  
 Export countries [sales.ex@hoshizaki-europe.com](mailto:sales.ex@hoshizaki-europe.com)  
 Other countries [sales.ex@hoshizaki-europe.com](mailto:sales.ex@hoshizaki-europe.com)

[www.hoshizaki-europe.com](http://www.hoshizaki-europe.com)



# HOSHIZAKI

## PREMIER BCF RI U 200 CO2 1N DL BK



- W** CONNESSIONE SCARICO 1"  
DRAIN CONNECTION 1"
- E** CONNESSIONE ELETTRICA  
ELECTRICAL CONNECTION
- G1** INGRESSO REFRIGERANTE  
REFRIGERANT INLET
- G2** USCITA REFRIGERANTE  
REFRIGERANT OUTLET



# HOSHIZAKI

Hoshizaki Belgium  
Hoshizaki Danmark  
Hoshizaki Deutschland  
Hoshizaki France  
Hoshizaki Iberia  
Hoshizaki Italia  
Hoshizaki Middle East

[info@hoshizaki.nl](mailto:info@hoshizaki.nl)  
[info@hoshizaki.dk](mailto:info@hoshizaki.dk)  
[vertrieb@hoshizaki.de](mailto:vertrieb@hoshizaki.de)  
[info@hoshizaki.fr](mailto:info@hoshizaki.fr)  
[info@hoshizaki.es](mailto:info@hoshizaki.es)  
[commerciale@hoshizaki.it](mailto:commerciale@hoshizaki.it)  
[sales.ex@hoshizaki-europe.com](mailto:sales.ex@hoshizaki-europe.com)

Hoshizaki Netherlands [info@hoshizaki.nl](mailto:info@hoshizaki.nl)  
Hoshizaki Norge [salg@hoshizaki.no](mailto:salg@hoshizaki.no)  
Hoshizaki Sverige [orderSE@hoshizaki.dk](mailto:orderSE@hoshizaki.dk)  
Hoshizaki UK [uksales@hoshizaki.uk](mailto:uksales@hoshizaki.uk)  
Export countries [sales.ex@hoshizaki-europe.com](mailto:sales.ex@hoshizaki-europe.com)  
Other countries [sales.ex@hoshizaki-europe.com](mailto:sales.ex@hoshizaki-europe.com)

[www.hoshizaki-europe.com](http://www.hoshizaki-europe.com)