



HOSHIZAKI

PREMIER TK150 CO2 1N BK NF

Technical kit module for blast chiller/freezer



OPTIONAL EXTRAS

Evaporator bumper (Add-on) *

Remote controller (Add-on) *

* Add-on = Must be specified when placing the order

ITEM NUMBER: 5LMA6GQRH-N1ALBC

COUNTRY OF ORIGIN: ITALY

PREMIER TK150 CO2 1N BK NF is a technical kit for roll-in blast chiller/freezer system.

Chilling/freezing capacity of 150/100 kg. It features a user friendly 7" touch controller display.

The module is equipped with controller, heated core probe, Wi-Fi connection, Ethernet-port, USB-port, drip collection tray and feet.

- For connection to external cooling system and compatible with CO2 refrigerant.
- Cooling functions: Chilling, freezing, preservation, precooling, ice cream hardening, fish sanitation, bottle cooling, pastry, cell sanitation
- 'Hot' functions: Thawing, cell drying
- 7" touch screen controller with coloured icons
- Choice of time- or temperature-controlled (probe) chill/freeze cycles
- Single probe cascade cycles, Timer cycles, Quick start
- Heated core probe
- Can be connected to Wi-fi
- Ethernet port
- USB-port for HACCP data collection
- Customisable parameters
- Multiple and customisable cycle stages
- Adjustable fan speed
- Heater defrosting
- Electric expansion valve w/driver
- Built for climate class 5 cooling system operating in ambient temperatures up to +40°C
- Internal fan section can be opened for easy cleaning around and behind
- Evaporator with cataphoresis coating for rust protection
- Main power switch
- Smart connectors for seamless installation and interconnection with other products in the range

WARRANTY PERIOD

**1 Year on Parts & Labour -
based on country agreement**

EXTERIOR

Stainless steel AISI 304

Refrigerant compatibility: R744



HOSHIZAKI

PREMIER TK150 CO2 1N BK NF

TECHNICAL SPECIFICATIONS

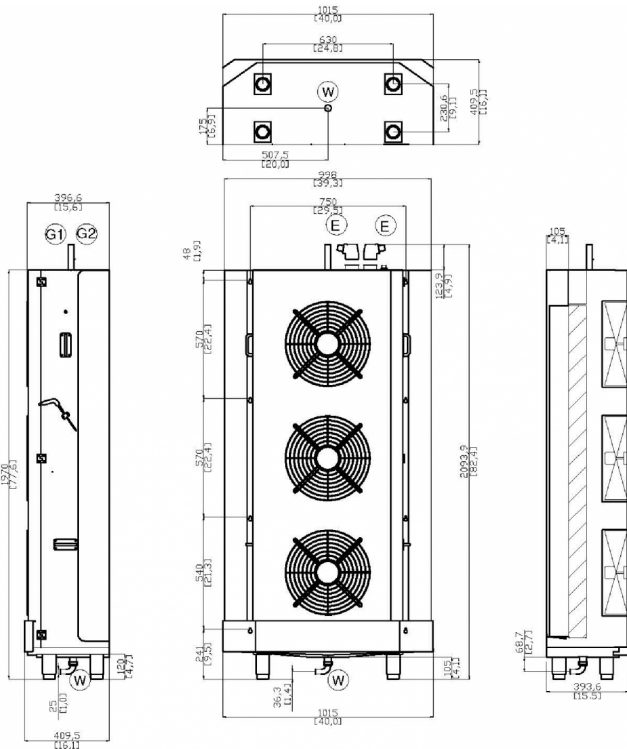
Cooling system	Temperature range	Power supply	Connection load (Cold cycles)	Connection load (Hot cycles)	Required cooling capacity	Maximum system pressure	Climate class	Chilling capacity (from +70°C to +3°C in 90 minutes)	Freezing capacity (from +70°C to -18°C in 4 hours)
For remote cooling system	-40/+40°C	1/220 - 240V/50Hz	510 W	1,410 W	18,500 W	60 Bar	5 (max. ambient 40°C w/ 40% RH)	150 kg	100 kg

Maximum current amperage (Cold cycles)	Maximum current amperage (Hot cycles)
3.3 A	7.6 A

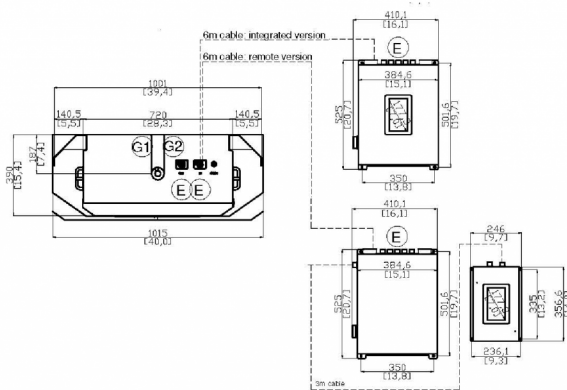
SHIPPING SPECIFICATIONS

Width (packed)	Depth (packed)	Height (packed)	Volume (packed)	Gross weight	Width	Depth	Height	Height including legs (minimum)	Height including legs (maximum)	Net weight
1,050 mm	2,270 mm	583 mm	1.3 m3	129 kg	1,015 mm	410 mm	2,094 mm	2,094 mm	2,139 mm	91 kg

Disclaimer: Every effort has been made to ensure that the information contained in this spec sheet is accurate at the time of publishing. Hoshizaki Europe BV assumes no responsibility or liability for typographical errors or omissions or for any misinterpretation of the information within the publication and reserves the right to change without notice.



- H MIN 120 (4.72 in)
H MAX 165 (6.50 in)
 - ⊕1 INGRESSO REFRIGERANTE Ø16mm - CO2 Ø10mm
REFRIGERANT INLET Ø16mm - CO2 Ø10mm
 - ⊕2 USCITA REFRIGERANTE Ø28mm - CO2 Ø16mm
REFRIGERANT OUTLET Ø28mm - CO2 Ø16mm
 - ⊕ CONNESSIONE ELETTRICA
ELECTRICAL CONNECTION
 - ⊕ CONNESSIONE SCARICO: Ø1" GAS DIRITTO VERSO IL BASSO O CURVA DN25 ORIENTABILE (fornita a corredo)
DRAIN CONNECTION: Ø1" GAS STRAIGHT DOWN OR DN25 ADJUSTABLE ELBOW (provided with the equipment)
- VOLUME CONSIGLIATO PER OGNI MODULO 3,8m3
RECOMMENDED VOLUME PER MODULE 3,8m3



Hoshizaki Belgium
Hoshizaki Danmark
Hoshizaki Deutschland
Hoshizaki France
Hoshizaki Iberia
Hoshizaki Italia
Hoshizaki Middle East

info@hoshizaki.nl
info@hoshizaki.dk
vertrieb@hoshizaki.de
info@hoshizaki.fr
info@hoshizaki.es
commerciale@hoshizaki.it
sales.ex@hoshizaki-europe.com

Hoshizaki Netherlands
Hoshizaki Norge
Hoshizaki Sverige
Hoshizaki UK
Export countries
Other countries

info@hoshizaki.nl
salg@hoshizaki.no
orderSE@hoshizaki.dk
uksales@hoshizaki.uk
sales.ex@hoshizaki-europe.com
sales.ex@hoshizaki-europe.com

www.hoshizaki-europe.com