



# HOSHIZAKI

## ADVANCE ACR-180DG-LRR-RRC-L1

### 3-Section Refrigerated Counter



PRODUCT SERIES: ADVANCE 180  
ITEM NUMBER: 889020840  
COUNTRY OF ORIGIN: TURKEY

Hoshizaki Advance ACR-180DG-LRR-RRC-L1 is a 3-section 1/1 GN refrigerated counter with three doors and a flat worktop. It has a net usable volume of 257 ltr. The height excluding legs is 700 mm, legs = H 130/180 mm (L1).

- Fan assisted cooling
- Automatic defrost with re-evaporation of defrost water
- Heavy duty cabinet and compressor compartment construction
- Climate class 5 cooling system enduring up to +40°C ambient temperature
- Exterior and interior of stainless steel
- Compartmentalized cooling unit that is available as one unit
- A compact slide out refrigeration unit for maintenance and service
- Removable condenser filter for cleaning or replacement
- Reversible doors
- Anti-tilt shelves
- Removable magnetic door gaskets with triple insulation area
- Pan-shaped inside base with rounded corners to catch fluids
- IP 21 water protection
- Matching design identity as the Advance cabinets



1 / 1 GN

#### ACCESSORIES INCLUDED

2 grey shelves per section

#### OPTIONAL EXTRAS

- Set of legs for 835-900 mm Counter-top (L2)
- Set of 4 Castors for 850 mm Counter-top (C1)
- Set of 4 Castors for 900 mm Counter-top (C2)
- Castor Extension Kit (extends height of castors by 50mm)
- Flat worktop with 100 mm splashback
- Drawer section with 2 x 1/2 drawers
- Drawer section with 3 x 1/3 drawers \*
- Shelf support - Left
- Shelf support - Right
- Stainless shelf
- Grey shelf

\* 3 drawer section is not available next to the compressor housing

**WARRANTY PERIOD**  
**5 Years on Parts & Labour - based on country agreement**

**EXTERIOR**  
**Stainless Steel**

**INTERIOR**  
**Stainless**

Refrigerant type: R290 / Refrigerant: 0.079 kg / CO2 equivalent: 0.237 kg

#### CERTIFICATIONS



Energy consumption	Energy efficiency class	Energy efficiency class standard	Energy Efficiency Index (EEI)
927 kWh/year	C	ISO 22041: 2019	37.89 EEI



# HOSHIZAKI

## ADVANCE ACR-180DG-LRR-RRC-L1

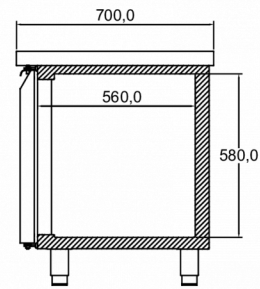
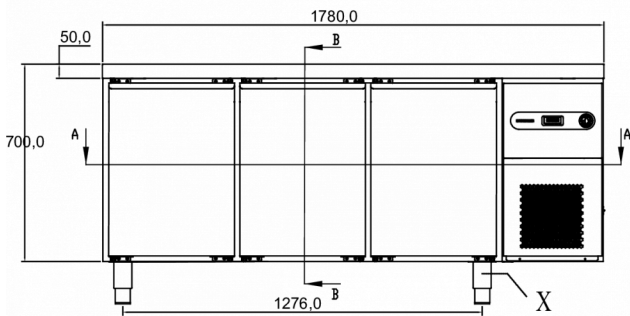
### TECHNICAL SPECIFICATIONS

Temperature range	Shelf size	Volume, gross	Net usable volume	Power supply	Connection load	Climate class	Sound level	Ref. capacity (at -10°C)
-2/+8°C	1/1 GN	457 l	257 l	230V, 50Hz	240 W	5 (max. ambient 40°C w/ 40% RH)	53 dB(A)	446 W

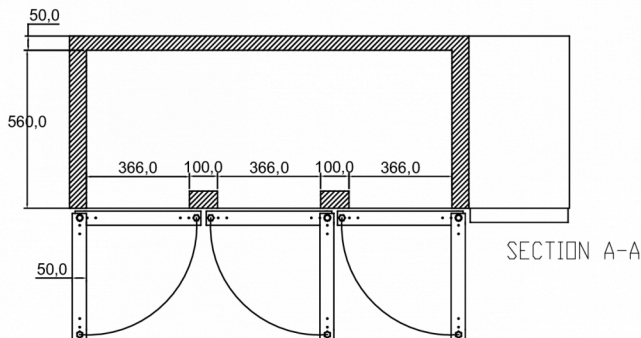
### SHIPPING SPECIFICATIONS

Width (packed)	Depth (packed)	Height (packed)	Volume (packed)	Gross weight	Width	Depth	Height	Net weight
1,830 mm	760 mm	1,050 mm	1.43 m <sup>3</sup>	140 kg	1,780 mm	700 mm	700 mm	128 kg

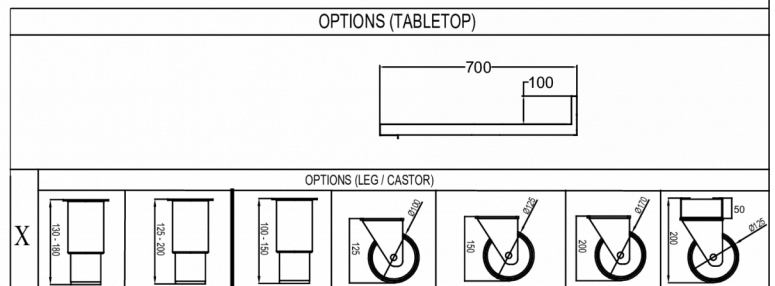
Disclaimer: Every effort has been made to ensure that the information contained in this spec sheet is accurate at the time of publishing. Hoshizaki Europe BV assumes no responsibility or liability for typographical errors or omissions or for any misinterpretation of the information within the publication and reserves the right to change without notice.



SECTION B-B



SECTION A-A



Hoshizaki Belgium  
 Hoshizaki Danmark  
 Hoshizaki Deutschland  
 Hoshizaki France  
 Hoshizaki Iberia  
 Hoshizaki Italia  
 Hoshizaki Middle East

[info@hoshizaki.nl](mailto:info@hoshizaki.nl)  
[info@hoshizaki.dk](mailto:info@hoshizaki.dk)  
[vertrieb@hoshizaki.de](mailto:vertrieb@hoshizaki.de)  
[info@hoshizaki.fr](mailto:info@hoshizaki.fr)  
[info@hoshizaki.es](mailto:info@hoshizaki.es)  
[commerciale@hoshizaki.it](mailto:commerciale@hoshizaki.it)  
[sales.ex@hoshizaki-europe.com](mailto:sales.ex@hoshizaki-europe.com)

Hoshizaki Netherlands [info@hoshizaki.nl](mailto:info@hoshizaki.nl)  
 Hoshizaki Norge [salg@hoshizaki.no](mailto:salg@hoshizaki.no)  
 Hoshizaki Sverige [orderSE@hoshizaki.dk](mailto:orderSE@hoshizaki.dk)  
 Hoshizaki UK [uksales@hoshizaki.uk](mailto:uksales@hoshizaki.uk)  
 Export countries [sales.ex@hoshizaki-europe.com](mailto:sales.ex@hoshizaki-europe.com)  
 Other countries [sales.ex@hoshizaki-europe.com](mailto:sales.ex@hoshizaki-europe.com)

[www.hoshizaki-europe.com](http://www.hoshizaki-europe.com)