



HOSHIZAKI

ADVANCE ACF-130DG-LR-RRS-L1

2-Section Freezer Counter



PRODUCT SERIES: ADVANCE 130
ITEM NUMBER: 899000844
COUNTRY OF ORIGIN: TURKEY

Hoshizaki Advance ACF-130DG-LR-RRS-L1 is a 2-section 1/1 GN freezer counter with two doors and a flat worktop with 100 mm splashback. It has a net usable volume of 171 ltr. The height excluding legs is 800 mm, legs = H 130/180 mm (L1). Shelf width is 325 mm.

- Fan assisted cooling
- Automatic defrost with re-evaporation of defrost water
- Heavy duty cabinet and compressor compartment construction
- Climate class 5 cooling system enduring up to +40°C ambient temperature
- Exterior and interior of stainless steel
- Compartmentalized cooling unit that is available as one unit
- A compact slide out refrigeration unit for maintenance and service
- Removable condenser filter for cleaning or replacement
- Reversible doors
- Anti-tilt shelves
- Removable magnetic door gaskets with triple insulation area
- Pan-shaped inside base with rounded corners to catch fluids
- IP 21 water protection
- Matching design identity as the Advance cabinets



1 / 1 GN

ACCESSORIES INCLUDED

2 grey shelves per door section

OPTIONAL EXTRAS

- Set of legs for 835-900 mm Counter-top (L2)
- Set of 4 Castors for 850 mm Counter-top (C1)
- Set of 4 Castors for 900 mm Counter-top (C2)
- Castor Extension Kit (extends height of castors by 50mm)
- Flat worktop
- Shelf support - Left
- Shelf support - Right
- Stainless shelf
- Grey shelf

WARRANTY PERIOD
5 Years on Parts & Labour - based on country agreement

EXTERIOR
Stainless Steel

INTERIOR
Stainless steel

Refrigerant type: R290 / Refrigerant: 0,06 kg / CO2 equivalent: 0,18 kg

CERTIFICATIONS



Energy consumption	Energy efficiency class	Energy efficiency class standard	Energy Efficiency Index (EEI)
2.528 kWh/year	D	ISO 22041: 2019	74,82 EEI



HOSHIZAKI

ADVANCE ACF-130DG-LR-RRS-L1

TECHNICAL SPECIFICATIONS

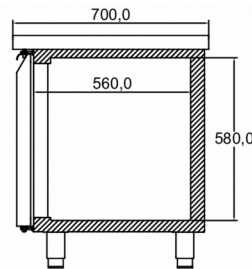
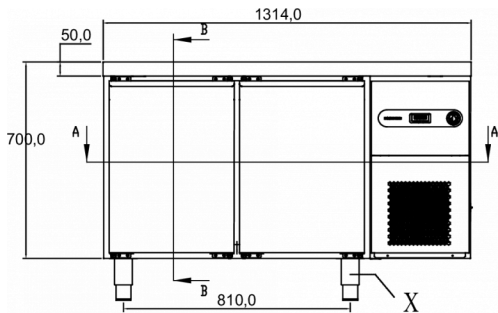
Temperature range	Shelf size	Volume, gross	Net usable volume	Climate class
-22/-5°C	1/1 GN	301 l	171 l	5 (max. ambient 40°C w/ 40% RH)

Power supply	Connection load	Ref. capacity (at -30°C)
230V, 50Hz	524 W	376 W

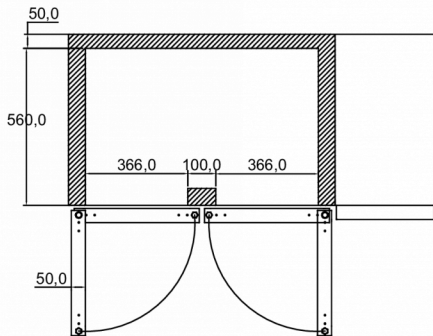
SHIPPING SPECIFICATIONS

Width (packed)	Depth (packed)	Height (packed)	Volume (packed)	Gross weight	Width	Depth	Height	Height including legs (minimum)	Height including legs (maximum)	Net weight
1.404 mm	820 mm	1.030 mm	1,19 m3	124 kg	1.314 mm	700 mm	800 mm	930 mm	980 mm	97 kg

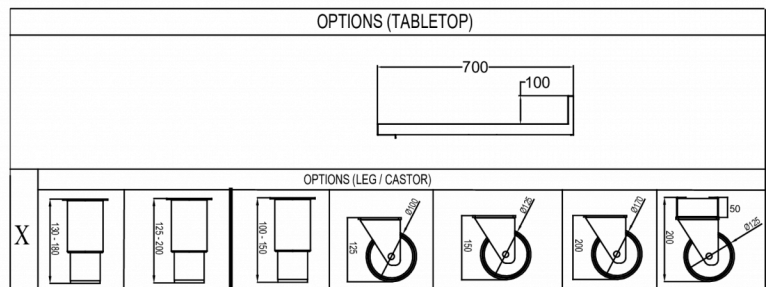
Disclaimer: Every effort has been made to ensure that the information contained in this spec sheet is accurate at the time of publishing. Hoshizaki Europe BV assumes no responsibility or liability for typographical errors or omissions or for any misinterpretation of the information within the publication and reserves the right to change without notice.



SECTION B-B



SECTION A-A



Hoshizaki Belgium
 Hoshizaki Danmark
 Hoshizaki Deutschland
 Hoshizaki France
 Hoshizaki Iberia
 Hoshizaki Italia
 Hoshizaki Middle East

info@hoshizaki.nl
info@hoshizaki.dk
vertrieb@hoshizaki.de
info@hoshizaki.fr
info@hoshizaki.es
commerciale@hoshizaki.it
sales.ex@hoshizaki-europe.com

Hoshizaki Netherlands info@hoshizaki.nl
 Hoshizaki Norge salg@hoshizaki.no
 Hoshizaki Sverige order@hoshizaki.se
 Hoshizaki UK uksales@hoshizaki.uk
 Export countries sales.ex@hoshizaki-europe.com
 Other countries sales.ex@hoshizaki-europe.com

www.hoshizaki-europe.com