



HOSHIZAKI

ADVANCE ACF-225DG-LLRR-CRC-L2

4-Section Freezer Counter



PRODUCT SERIES: ADVANCE 225
ITEM NUMBER: 899040822
COUNTRY OF ORIGIN: TURKEY

Hoshizaki Advance ACF-225DG-LLRR-CRC-L2 is a 4-section 1/1 GN refrigerated counter with four doors and a flat worktop. It has a net usable volume of 343 ltr. The height excluding legs is 700 mm, legs = H 135/200 mm (L2).

- Fan assisted cooling
- Automatic defrost with re-evaporation of defrost water
- Heavy duty cabinet and compressor compartment construction
- Climate class 5 cooling system enduring up to +40°C ambient temperature
- Exterior and interior of stainless steel AISI 304
- A compact slide out refrigeration unit for maintenance and service
- Removable condenser filter for cleaning or replacement
- Reversible doors
- Anti-tilt shelves
- Removable magnetic door gaskets with triple insulation area
- Pan-shaped inside base with rounded corners to catch fluids
- IP 21 water protection
- Matching design identity as the Advance cabinets



1 / 1 GN

ACCESSORIES INCLUDED

2 grey shelves per door section

OPTIONAL EXTRAS

- Set of legs for 830-880 mm Counter-top (L1)
- Set of 4 Castors for 850 mm Counter-top (C1)
- Set of 4 Castors for 900 mm Counter-top (C2)
- Castor Extension Kit (extends height of castors by 50mm)
- Flat worktop with 100 mm splashback
- Shelf support - Left
- Shelf support - Right
- Stainless shelf
- Grey shelf

WARRANTY PERIOD

5 Years on Parts & Labour - based on country agreement

EXTERIOR

Stainless steel AISI 304

INTERIOR

Stainless steel AISI 304

Refrigerant type: R290 / Refrigerant: 0.072 kg / CO2 equivalent: 0.216 kg

CERTIFICATIONS



Energy consumption	Energy efficiency class	Energy efficiency class standard	Energy Efficiency Index (EEI)
3,278 kWh/year	D	ISO 22041: 2019	74.79 EEI

Hoshizaki Europe B.V.
Burgemeester Stramanweg 101
1101 AA Amsterdam
The Netherlands

HEBV Amsterdam office T. +31 (0)20 691 8499
Export line direct T. +31 (0)20 565 0429
sales.ex@hoshizaki-europe.com
service.ex@hoshizaki-europe.com
www.hoshizaki-europe.com



HOSHIZAKI

ADVANCE ACF-225DG-LLRR-CRC-L2

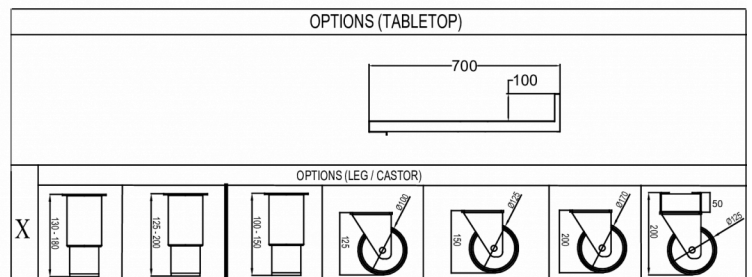
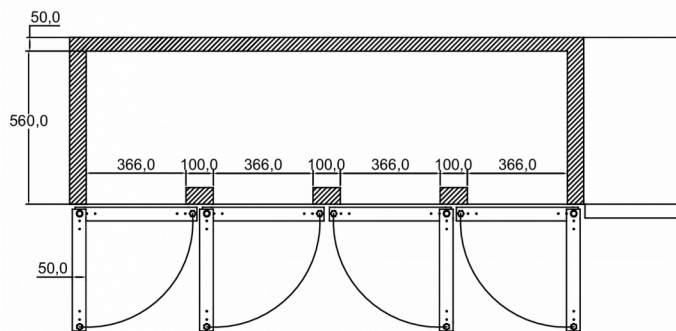
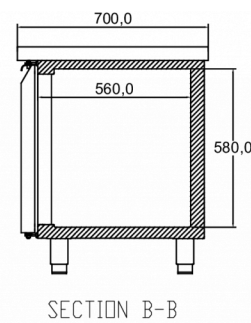
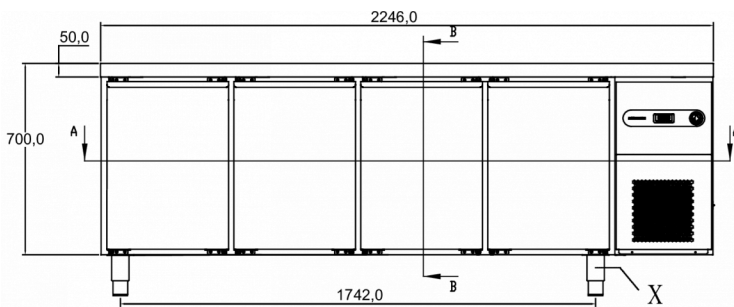
TECHNICAL SPECIFICATIONS

Temperature range	Shelf size	Volume, gross	Net usable volume	Power supply	Connection load	Climate class	Ref. capacity (at -30°C)
-22/-5°C	1/1 GN	625 l	343 l	230V, 50Hz	752 W	5 (max. ambient 40°C w/ 40% RH)	608 W

SHIPPING SPECIFICATIONS

Width (packed)	Depth (packed)	Height (packed)	Volume (packed)	Gross weight	Width	Depth	Height	Net weight
2,335 mm	820 mm	1,000 mm	1.91 m ³	178 kg	2,246 mm	700 mm	700 mm	159 kg

Disclaimer: Every effort has been made to ensure that the information contained in this spec sheet is accurate at the time of publishing. Hoshizaki Europe BV assumes no responsibility or liability for typographical errors or omissions or for any misinterpretation of the information within the publication and reserves the right to change without notice.



Hoshizaki Belgium
 Hoshizaki Danmark
 Hoshizaki Deutschland
 Hoshizaki France
 Hoshizaki Iberia
 Hoshizaki Italia
 Hoshizaki Middle East

info@hoshizaki.nl
info@hoshizaki.dk
vertrieb@hoshizaki.de
info@hoshizaki.fr
info@hoshizaki.es
commerciale@hoshizaki.it
sales.ex@hoshizaki-europe.com

Hoshizaki Netherlands info@hoshizaki.nl
 Hoshizaki Norge salg@hoshizaki.no
 Hoshizaki Sverige orderSE@hoshizaki.dk
 Hoshizaki UK uksales@hoshizaki.uk
 Export countries sales.ex@hoshizaki-europe.com
 Other countries sales.ex@hoshizaki-europe.com

www.hoshizaki-europe.com