



HOSHIZAKI

FM-480AKE-HCN-SB

Nugget Ice Maker, Modular

Production Capacity (kg/24h) - AT 10°C, WT 10°C: 380



ICE TYPE: Nugget



ACCESSORIES INCLUDED

Installation kit

OPTIONAL EXTRAS

Filtracja wody 4HC-H

CORRESPONDING WATER FILTERS

4HC-H Twin Water Filter, 4HC Replacement Cartridge

CORRESPONDING BIN(S)

B-140SB, B-210SB, B-340SB

CORRESPONDING TOP KITS

TK-30 for B-140SB, B-210SB, B340SB (optional, not required), TK-8D for B-210SB, TK-8D + TK18D for B-340SB

PRODUCT SERIES: FLAKE & NUGGET ICEMAKERS

ITEM NUMBER: F087-C107

COUNTRY OF ORIGIN: UK

Hoshizaki FM-480AKE-HCN is a modular ice maker producing up to 380 kg of nugget ice per 24 hours. This model is compatible with our storage bins.

- FM models can be converted to either flake or nugget ice only by a qualified engineer
- CleanCycle6 system for rinse of built up impurities (minerals) every 6 hours
- Water consumption is equal to the ice production
- Ice making system with an automatic rinse cycle
- Closed water circuit for contamination protection
- Electronic controller
- Operation time-based parts replacement system for preventive maintenance
- Auger is made of double hardened stainless steel
- Carbon graphite bushings allows the machine to work without grease
- Cleanable air filter

WARRANTY PERIOD

2 Years on Parts & Labour - based on country agreement

EXTERIOR

Stainless steel AISI 441, Galvanized steel (Rear)

Refrigerant type: R290 / Refrigerant: 0.145 kg / CO2 equivalent: 0.435 kg

OPERATING CONDITIONS

Ambient temperature (minimum): 5 °C, Ambient temperature (maximum): 40 °C, Water supply pressure (minimum): 0.05MPa (0.5bar), Water supply pressure (maximum): 0.8MPa (8bar), Water supply temperature (minimum): 5 °C, Water supply temperature (maximum): 35 °C, Voltage range (Rated Voltage): ±6%

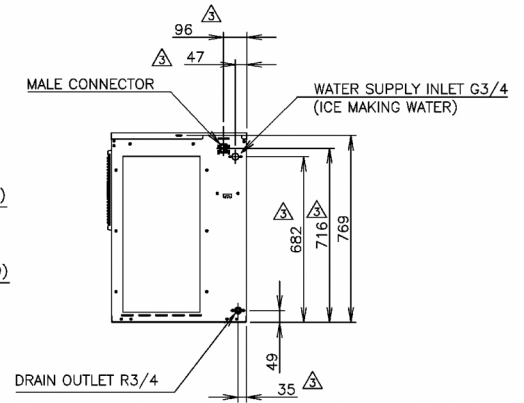
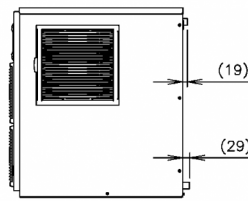
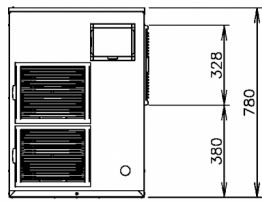
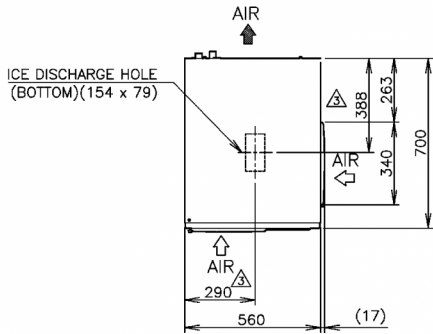
CERTIFICATIONS





HOSHIZAKI

FM-480AKE-HCN-SB



TECHNICAL SPECIFICATIONS

| Cooling system | Power supply | Heat Rejection (AT 32°C, WT 21°C) | Production Capacity (kg/24h) - AT 10°C, WT 10°C | Production Capacity (kg/24h) - AT 21°C, WT 15°C | Production Capacity (kg/24h) - AT 32°C, WT 21°C | Water consumption (m3/24h) - AT 10°C, WT 10°C |
|----------------|-------------------|-----------------------------------|---|---|---|---|
| Air Cooled | 1/220 - 240V/50Hz | 2.19 kW | 380 | 330 | 270 | 0.38 |

SHIPPING SPECIFICATIONS

| Width (packed) | Depth (packed) | Height (packed) | Volume (packed) | Gross weight | Width | Depth | Height | Net weight |
|----------------|----------------|-----------------|-----------------|--------------|--------|--------|--------|------------|
| 665 mm | 820 mm | 950 mm | 0.518 m3 | 99 kg | 560 mm | 700 mm | 780 mm | 92 kg |

Disclaimer: Every effort has been made to ensure that the information contained in this spec sheet is accurate at the time of publishing. Hoshizaki Europe BV assumes no responsibility or liability for typographical errors or omissions or for any misinterpretation of the information within the publication and reserves the right to change without notice.

Please observe: This type of icemaker is on special order only. Please take longer lead times into consideration.



Hoshizaki Belgium
 Hoshizaki Danmark
 Hoshizaki Deutschland
 Hoshizaki France
 Hoshizaki Iberia
 Hoshizaki Italia
 Hoshizaki Middle East

info@hoshizaki.nl
info@hoshizaki.dk
vertrieb@hoshizaki.de
info@hoshizaki.fr
info@hoshizaki.es
commerciale@hoshizaki.it
sales.ex@hoshizaki-europe.com

Hoshizaki Netherlands info@hoshizaki.nl
 Hoshizaki Norge salg@hoshizaki.no
 Hoshizaki Sverige orderSE@hoshizaki.dk
 Hoshizaki UK uksales@hoshizaki.uk
 Export countries sales.ex@hoshizaki-europe.com
 Other countries sales.ex@hoshizaki-europe.com

www.hoshizaki-europe.com