



HOSHIZAKI

IM-240DNE-HC-C

Cylinder Ice Maker, Modular & Stackable

Production Capacity (kg/24h) - AT 10°C, WT 10°C: 190



ICE TYPE: Cylinder



Ice type: Cylinder
Weight: 42 g

ACCESSORIES INCLUDED

brace, Installation kit, Scoop

OPTIONAL EXTRAS

4HC-H water filtration

CORRESPONDING WATER FILTERS

4HC-H Twin Water Filter, 4HC Replacement Cartridge

CORRESPONDING BIN(S)

B-340SB, F-1025-52S, F-650-44S, F-950-48S

CORRESPONDING TOP KITS

TK-48 for B-340SB (optional, not required), TK-IMD2 for B-340SB

PRODUCT SERIES: SPECIAL ICEMAKERS

ITEM NUMBER: M071-D122

COUNTRY OF ORIGIN: UK

Hoshizaki IM-240DNE-HC-C is modular and stackable ice maker producing up to 190 kg of cylinder ice per 24 hours. This model is compatible with our storage bins.

Ice cube dimensions and weight - disclaimer: The drawing is for illustration purposes only. Cube size and weight may differ due to local installation conditions.

- Ice making system with an automatic rinse cycle
- Each ice cycle is made with fresh water
- Closed water circuit for contamination protection
- Closed Cell System helps produce compact, hard and geometrically perfect ice
- Electronic controller
- System comes with a magnetic water pump that has no direct coupling, which prevents any leakage
- Cleanable air filter
- Stainless steel frame inside

WARRANTY PERIOD

2 Years on Parts & Labour - based on country agreement

EXTERIOR

Stainless Steel AISI 441

Refrigerant type: R290 / Refrigerant: 0.147 kg / CO2 equivalent: 0.441 kg

OPERATING CONDITIONS

Ambient temperature (minimum): 1 °C, Ambient temperature (maximum): 40 °C, Water supply pressure (minimum): 0,07MPa (0,7bar), Water supply pressure (maximum): 0,8MPa (8bar), Water supply temperature (minimum): 5 °C, Water supply temperature (maximum): 35 °C, Voltage range (Rated Voltage): ±6%

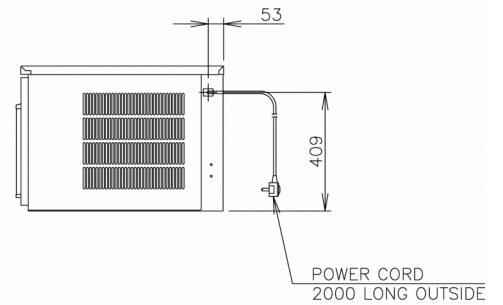
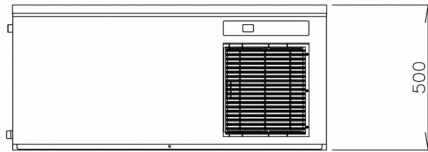
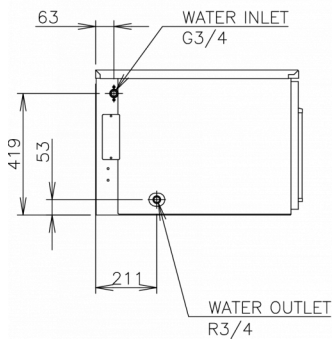
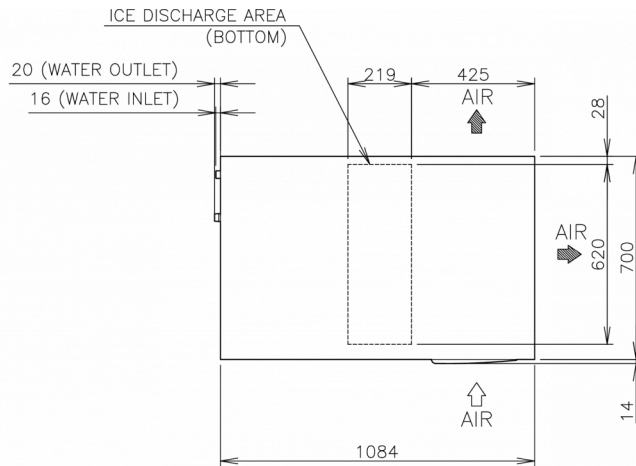
CERTIFICATIONS





HOSHIZAKI

IM-240DNE-HC-C



TECHNICAL SPECIFICATIONS

Cooling system	Power supply	Energy consumption	Electrical circuit breaker protection	Heat Rejection (AT 32°C, WT 21°C)	Production Capacity (kg/24h) - AT 10°C, WT 10°C	Production Capacity (kg/24h) - AT 21°C, WT 15°C	Production Capacity (kg/24h) - AT 32°C, WT 21°C	Water consumption (m3/24h) - AT 10°C, WT 10°C
Air Cooled	1/220 - 240V/50Hz	0.93 kWh	5 A	2.33 kW	190	185	170	0.52

SHIPPING SPECIFICATIONS

Width (packed)	Depth (packed)	Height (packed)	Volume (packed)	Volume, gross	Gross weight	Width	Depth	Height	Net weight
1,196 mm	825 mm	640 mm	0.632 m3	0.631 l	99 kg	1,084 mm	700 mm	500 mm	85 kg

Disclaimer: Every effort has been made to ensure that the information contained in this spec sheet is accurate at the time of publishing. Hoshizaki Europe BV assumes no responsibility or liability for typographical errors or omissions or for any misinterpretation of the information within the publication and reserves the right to change without notice.

Please observe: This type of icemaker is on special order only. Please take longer lead times into consideration.



Hoshizaki Belgium
 Hoshizaki Danmark
 Hoshizaki Deutschland
 Hoshizaki France
 Hoshizaki Iberia
 Hoshizaki Italia
 Hoshizaki Middle East

info@hoshizaki.nl
info@hoshizaki.dk
vertrieb@hoshizaki.de
info@hoshizaki.fr
info@hoshizaki.es
commerciale@hoshizaki.it
sales.ex@hoshizaki-europe.com

Hoshizaki Netherlands info@hoshizaki.nl
 Hoshizaki Norge salg@hoshizaki.no
 Hoshizaki Sverige orderSE@hoshizaki.dk
 Hoshizaki UK uksales@hoshizaki.uk
 Export countries sales.ex@hoshizaki-europe.com
 Other countries sales.ex@hoshizaki-europe.com

www.hoshizaki-europe.com