



HOSHIZAKI

IM-240APE-32

Cuber, Modular

Production Capacity (kg/24h) - AT 10°C, WT 10°C: 220



PRODUCT SERIES: CUBE ICEMAKERS

ITEM NUMBER: M119-D002

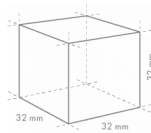
COUNTRY OF ORIGIN: UK

Hoshizaki IM-240APE-32 Cube model is a modular ice maker producing up to 220 kg of cube ice per 24 hours. This model is compatible with our storage bins.

Ice cube dimensions and weight - disclaimer: The drawing is for illustration purposes only. Cube size and weight may differ due to local installation conditions.

- Ice making system with an automatic rinse cycle
- Each ice cycle is made with fresh water
- Closed water circuit for contamination protection
- Closed Cell System helps produce compact, hard and geometrically perfect ice
- Easy external access to control panel
- System comes with a magnetic DC water pump with variable speed and that has no direct coupling, which prevents any leakage
- UV-C sanitization function is retrofittable
- Cleanable air filter
- Stainless steel frame inside
- Easily removable water pan assembly

ICE TYPE: Extra large cubes - 32



Cube Size: **XL-32**
Weight: 31 g

ACCESSORIES INCLUDED

Ice chute, Installation kit, Scoop

OPTIONAL EXTRAS

4HC-H water filtration, UV-C sanitization kit

CORRESPONDING WATER FILTERS

4HC-H Twin Water Filter, 4HC Replacement Cartridge

CORRESPONDING BIN(S)

B-140SB, B-210SB, B-340SB

CORRESPONDING TOP KITS

TK-30 for B-140SB, B-210SB, B340SB (optional, not required), TK-8D for B-210SB, TK-8D + TK18D for B-340SB

WARRANTY PERIOD

3 Years on Parts & Labour - based on country agreement

EXTERIOR

Stainless steel AISI 441, Galvanized steel (Rear)

Refrigerant type: R290 / Refrigerant: 0.147 kg / CO2 equivalent: 0.441 kg

OPERATING CONDITIONS

Ambient temperature (minimum): 1 °C, Ambient temperature (maximum): 40 °C, Water supply pressure (minimum): 0.07MPa (0.7bar), Water supply pressure (maximum): 0.8MPa (8bar), Water supply temperature (minimum): 5 °C, Water supply temperature (maximum): 35 °C, Voltage range (Rated Voltage): ±6%

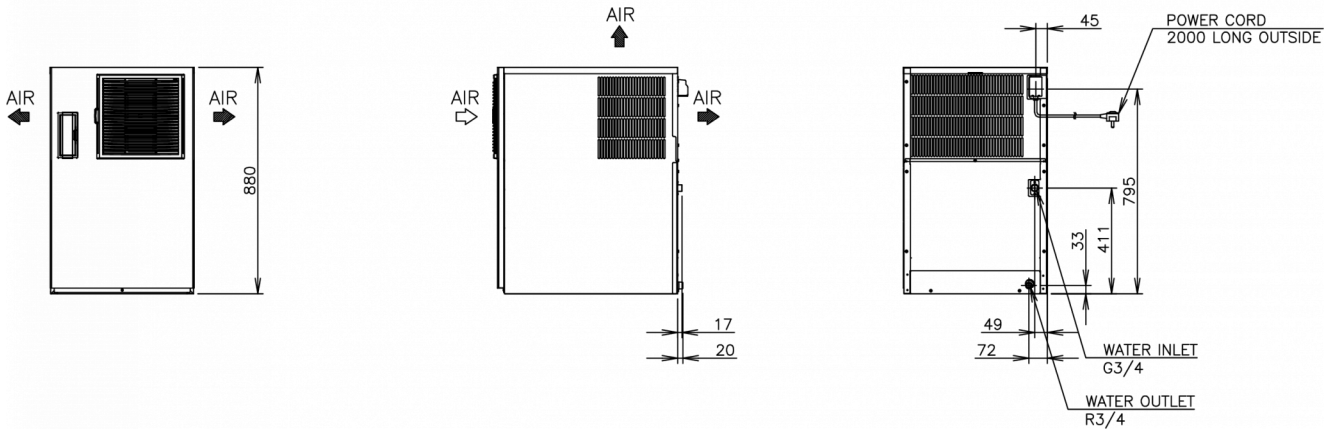
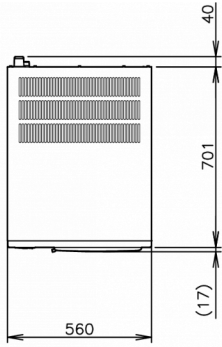
CERTIFICATIONS





HOSHIZAKI

IM-240APE-32



TECHNICAL SPECIFICATIONS

Cooling system	Power supply	Electrical circuit breaker protection	Heat Rejection (AT 32°C, WT 21°C)	Production Capacity (kg/24h) - AT 10°C, WT 10°C	Production Capacity (kg/24h) - AT 21°C, WT 15°C	Production Capacity (kg/24h) - AT 32°C, WT 21°C	Water consumption (m ³ /24h) - AT 10°C, WT 10°C
Air Cooled	1/220 - 240V/50Hz	5 A	2.51 kW	220	200	160	0.6

SHIPPING SPECIFICATIONS

Width (packed)	Depth (packed)	Height (packed)	Volume (packed)	Gross weight	Width	Depth	Height	Net weight
665 mm	820 mm	1,054 mm	0.575 m ³	81 kg	560 mm	700 mm	880 mm	70 kg

Disclaimer: Every effort has been made to ensure that the information contained in this spec sheet is accurate at the time of publishing. Hoshizaki Europe BV assumes no responsibility or liability for typographical errors or omissions or for any misinterpretation of the information within the publication and reserves the right to change without notice.



Hoshizaki Belgium info@hoshizaki.nl
 Hoshizaki Danmark info@hoshizaki.dk
 Hoshizaki Deutschland vertrieb@hoshizaki.de
 Hoshizaki France info@hoshizaki.fr
 Hoshizaki Iberia info@hoshizaki.es
 Hoshizaki Italia commerciale@hoshizaki.it
 Hoshizaki Middle East sales.ex@hoshizaki-europe.com

Hoshizaki Netherlands info@hoshizaki.nl
 Hoshizaki Norge salg@hoshizaki.no
 Hoshizaki Sverige orderSE@hoshizaki.dk
 Hoshizaki UK uksales@hoshizaki.uk
 Export countries sales.ex@hoshizaki-europe.com
 Other countries sales.ex@hoshizaki-europe.com
www.hoshizaki-europe.com