



HOSHIZAKI

JNO-B36W

Tiger rice cooker



ITEM NUMBER: JNO-B36W
COUNTRY OF ORIGIN: JAPAN
BRAND: TIGER

The TIGER JNO-B36W is an automatic rice-cooker with a cooking and warming capacity of 3.6 liter of raw rice. With automatic keep warm function.

- Automatic keep-warm function
- Produces up to 20 cups of rice. (40 cups cooked)
- Non-stick inner pan with thickness of 1.8mm
- Cooking sheet included to prevent scorching of rice
- Lid opens with a handy push button
- Stainless steel exterior.

ACCESSORIES INCLUDED

Measuring cup, Rice scoop

WARRANTY PERIOD

2 Years on Parts & Labour

EXTERIOR

Stainless Steel

INTERIOR

Stainless steel

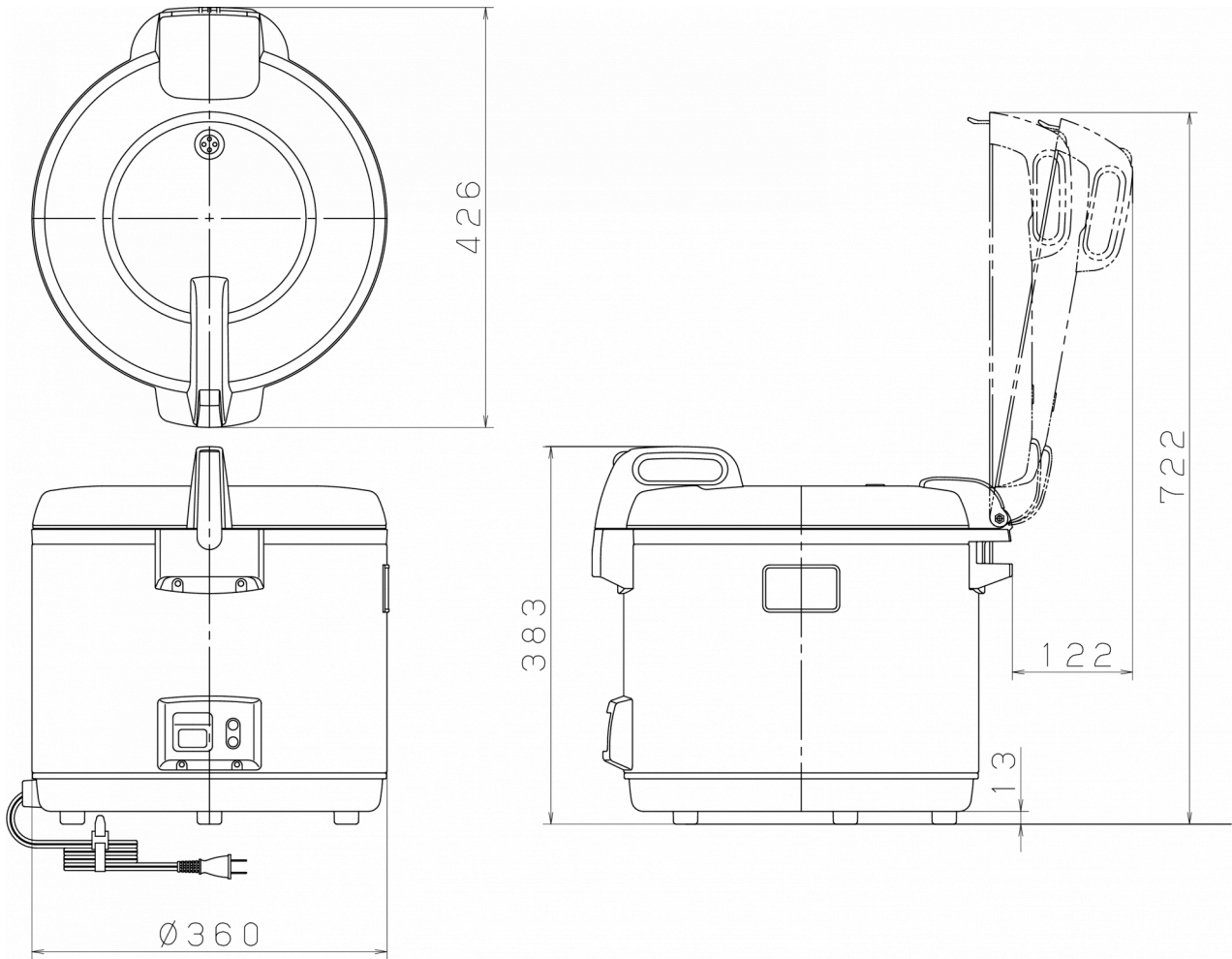
CERTIFICATIONS





HOSHIZAKI

JNO-B36W



TECHNICAL SPECIFICATIONS

Cooking and warming capacity	Power supply	Connection load
3.6 l	1/220 - 240V/50Hz	1,610 W

SHIPPING SPECIFICATIONS

Width (packed)	Depth (packed)	Height (packed)	Volume (packed)	Gross weight	Width	Depth	Height	Net weight
401 mm	411 mm	415 mm	0.068 m ³	9.9 kg	360 mm	426 mm	383 mm	8.6 kg

Disclaimer: Every effort has been made to ensure that the information contained in this spec sheet is accurate at the time of publishing. Hoshizaki Europe BV assumes no responsibility or liability for typographical errors or omissions or for any misinterpretation of the information within the publication and reserves the right to change without notice.



HOSHIZAKI

Hoshizaki Middle East

sales.ex@hoshizaki-europe.com

www.hoshizaki-europe.com