



HOSHIZAKI

Premier K 2 A 2D 2D C U 2-Section Refrigerated Counter

PRODUCT SERIES: PREMIER 270
ITEM NUMBER: 211000033210
COUNTRY OF ORIGIN: TURKEY



Hoshizaki Premier K 2 A 2D 2D L U is a 2-section 1/1 GN refrigerated counter with 2 drawer sections each with 2 x 1/2 drawers and a flat worktop. It has a net usable volume of 176 ltr. Castors H = 150mm.

- Fan assisted cooling
- Completely front vented
- Unit can be fully integrated. Due to front venting design, no air flow is required to the underneath, sides or back of unit
- Automatic defrost with re-evaporation of defrost water
- Heavy duty cabinet and compressor compartment construction
- Climate class 5 cooling system enduring up to +40°C ambient temperature
- Exterior and interior of stainless steel AISI 304
- A compact slide out refrigeration unit for maintenance and service
- Removable condenser filter for cleaning or replacement
- Compartmentalized cooling unit that is available as one unit
- The cooling performance allows for drawer section next to compressor compartment
- Drawers with pull-out stop
- Removable magnetic drawer gaskets with triple insulation area
- Pan-shaped inside base with rounded corners to catch fluids
- IP 2X water protection
- Matching design identity as the Premier cabinets



1 / 1 GN

ACCESSORIES INCLUDED

N/A

OPTIONAL EXTRAS

- Set of legs 125-200mm
- Set of legs 130-180mm
- Set of castors 125mm
- Set of castors 150mm
- Set of castors 200mm
- Mini Castors - 2 braked and 2 unbraked 88mm
- Door section
- Drawer section with 2 x 1/2 drawers
- Drawer section with 3 x 1/3 drawers
- Soft-close drawer Conversion Kit (for retrofit)
- Flat worktop
- Flat worktop with 50mm splashback
- Flat worktop with 100mm splashback

WARRANTY PERIOD
6 Years on Parts & Labour

EXTERIOR
Stainless steel AISI 304

INTERIOR
Stainless steel AISI 304

Refrigerant type: R600a / Refrigerant: 0.07 kg / CO2 equivalent: 0.21 kg

CERTIFICATIONS



| Energy consumption | Energy efficiency class | Energy efficiency class standard | Energy Efficiency Index (EEI) |
|--------------------|-------------------------|----------------------------------|-------------------------------|
| 390 kWh/year | A | ISO 22041: 2019 | 17.42 EEI |



HOSHIZAKI

Premier K 2 A 2D 2D C U

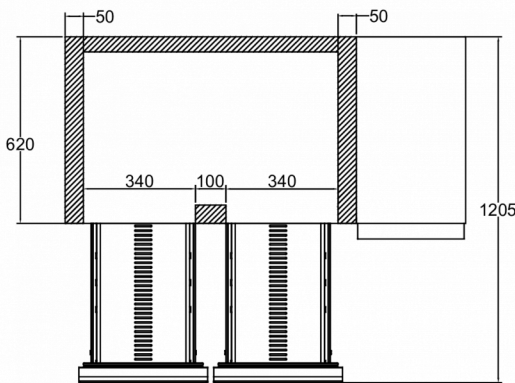
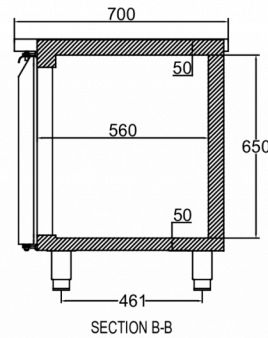
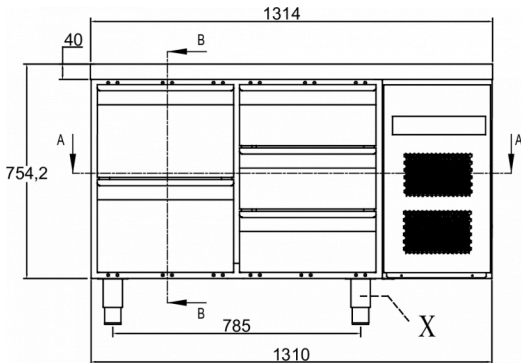
TECHNICAL SPECIFICATIONS

| Temperature range | Shelf size | Volume, gross | Net usable volume | Volume, net | Power supply | Connection load | Climate class | Sound level | Ref. capacity (at -10°C) |
|-------------------|------------|---------------|-------------------|-------------|--------------|-----------------|---------------------------------|-------------|--------------------------|
| +2/+12°C | 1/1 GN | 301 l | 176 l | 176 l | 230V, 50Hz | 115 W | 5 (max. ambient 40°C w/ 40% RH) | 43 dB(A) | 206 W |

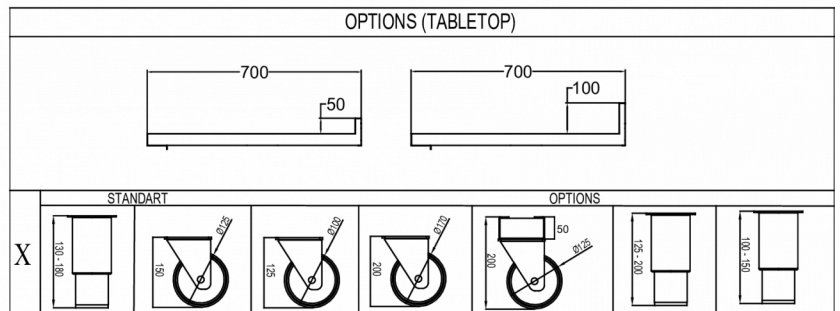
SHIPPING SPECIFICATIONS

| Width (packed) | Depth (packed) | Height (packed) | Volume (packed) | Gross weight | Width | Depth | Height | Net weight |
|----------------|----------------|-----------------|-----------------|--------------|----------|--------|----------|------------|
| 1,340 mm | 730 mm | 1,103 mm | 1.079 m3 | 125 kg | 1,314 mm | 700 mm | 904.2 mm | 113 kg |

Disclaimer: Every effort has been made to ensure that the information contained in this spec sheet is accurate at the time of publishing. Hoshizaki Europe BV assumes no responsibility or liability for typographical errors or omissions or for any misinterpretation of the information within the publication and reserves the right to change without notice.



SECTION A-A



Hoshizaki Belgium
 Hoshizaki Danmark
 Hoshizaki Deutschland
 Hoshizaki France
 Hoshizaki Iberia
 Hoshizaki Italia
 Hoshizaki Middle East

info@hoshizaki.nl
info@hoshizaki.dk
vertrieb@hoshizaki.de
info@hoshizaki.fr
info@hoshizaki.es
commerciale@hoshizaki.it
sales.ex@hoshizaki-europe.com

Hoshizaki Netherlands info@hoshizaki.nl
 Hoshizaki Norge salg@hoshizaki.no
 Hoshizaki Sverige orderSE@hoshizaki.dk
 Hoshizaki UK uksales@hoshizaki.uk
 Export countries sales.ex@hoshizaki-europe.com
 Other countries sales.ex@hoshizaki-europe.com

www.hoshizaki.uk



HOSHIZAKI

Premier K 2 A 2D 2D C U



HOSHIZAKI

Hoshizaki Belgium info@hoshizaki.nl
Hoshizaki Danmark info@hoshizaki.dk
Hoshizaki Deutschland vertrieb@hoshizaki.de
Hoshizaki France info@hoshizaki.fr
Hoshizaki Iberia info@hoshizaki.es
Hoshizaki Italia commerciale@hoshizaki.it
Hoshizaki Middle East sales.ex@hoshizaki-europe.com

Hoshizaki Netherlands info@hoshizaki.nl
Hoshizaki Norge salg@hoshizaki.no
Hoshizaki Sverige orderSE@hoshizaki.dk
Hoshizaki UK uksales@hoshizaki.uk
Export countries sales.ex@hoshizaki-europe.com
Other countries sales.ex@hoshizaki-europe.com

www.hoshizaki.uk