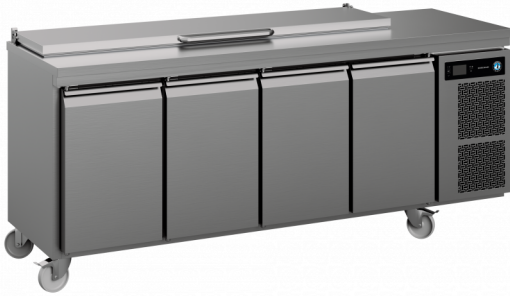




HOSHIZAKI

Premier K 4 SL DL DL DL DR C U 4-Section Refrigerated Counter with Saladette worktop



PRODUCT SERIES: PREMIER 470
ITEM NUMBER: 411061112210
COUNTRY OF ORIGIN: TURKEY

Hoshizaki Premier Premier K 4 SL DL DL DL DR C U is a 4-section 1/1 GN refrigerated counter with 4 doors and a with saladette worktop with an insulated hinged lid (with handle). It has a gross volume of 625 ltr. Castors H = 150mm and shelf width is 325mm.

- 9 x 1/3 gastronorm containers 100mm deep can be fitted into the worktop (GN containers not supplied)
- With an insulated hinged lid (with handle)
- Fan assisted cooling
- Completely front vented
- Unit can be fully integrated. Due to front venting design, no air flow is required to the underneath, sides or back of unit
- Automatic defrost with re-evaporation of defrost water
- Heavy duty cabinet and compressor compartment construction
- Climate class 5 cooling system enduring up to +40°C ambient temperature
- Exterior and interior of stainless steel AISI 304
- A compact slide out refrigeration unit for maintenance and service
- Removable condenser filter for cleaning or replacement
- Compartmentalized cooling unit that is available as one unit
- Reversible doors
- Anti-tilt shelves
- Removable magnetic door gaskets with triple insulation area
- Pan-shaped inside base with rounded corners to catch fluids
- IP 2X water protection
- Matching design identity as the Premier cabinets



1 / 1 GN

ACCESSORIES INCLUDED

2 grey shelves per door section

OPTIONAL EXTRAS

- Set of legs 100-150mm
- Set of legs 125-200mm
- Set of legs 130-180mm
- Set of castors 125mm
- Set of castors 150mm
- Mini Castors - 2 braked and 2 unbraked 88mm
- Stainless shelf, 325 x 530mm
- Grey shelf, 325 x 530mm
- Shelf supports, 2 of
- Door section

WARRANTY PERIOD

6 Years on Parts & Labour

EXTERIOR

Stainless steel AISI 304

INTERIOR

Stainless steel AISI 304

Refrigerant type: R290 / Refrigerant: 0.09 kg / CO2 equivalent: 0.27 kg

CERTIFICATIONS





HOSHIZAKI

Premier K 4 SL DL DL DL DR C U

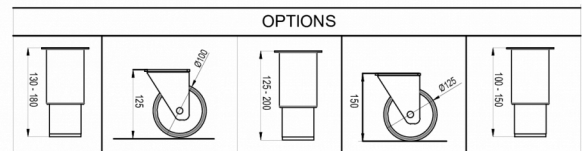
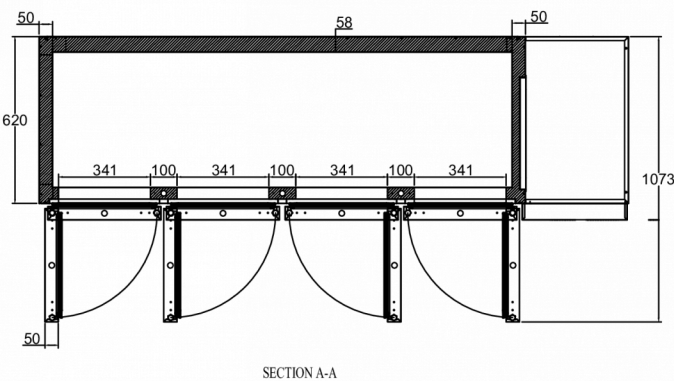
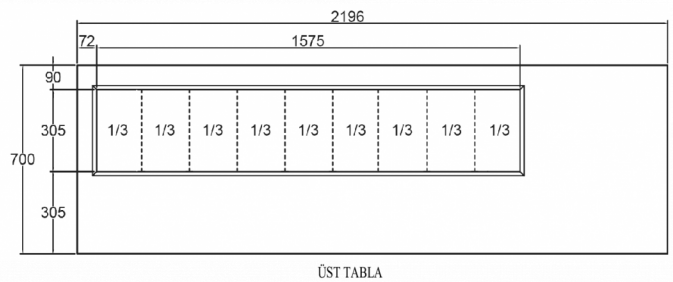
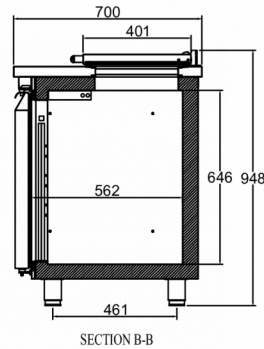
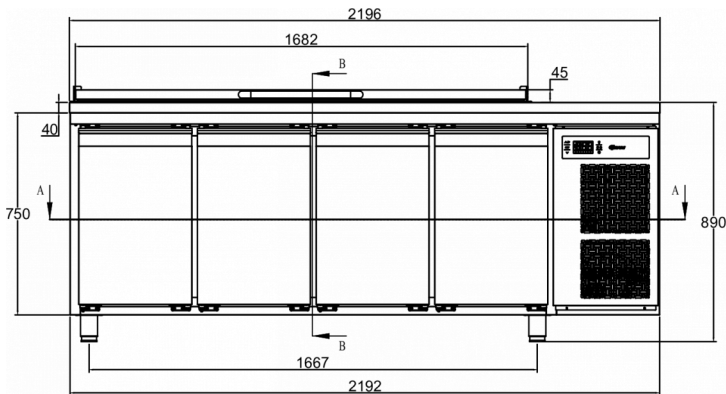
TECHNICAL SPECIFICATIONS

Temperature range	Shelf size	Volume, gross	Power supply	Connection load	Climate class	Ref. capacity (at -10°C)
+2/+12°C	1/1 GN	625 l	230V, 50Hz	280 W	5 (max. ambient 40°C w/ 40% RH)	633 W

SHIPPING SPECIFICATIONS

Width (packed)	Depth (packed)	Height (packed)	Volume (packed)	Gross weight	Width	Depth	Height	Net weight
2,226 mm	730 mm	1,242 mm	1.91 m ³	185 kg	2,196 mm	700 mm	998 mm	165 kg

Disclaimer: Every effort has been made to ensure that the information contained in this spec sheet is accurate at the time of publishing. Hoshizaki Europe BV assumes no responsibility or liability for typographical errors or omissions or for any misinterpretation of the information within the publication and reserves the right to change without notice.



Hoshizaki Belgium
 Hoshizaki Danmark
 Hoshizaki Deutschland
 Hoshizaki France
 Hoshizaki Iberia
 Hoshizaki Italia
 Hoshizaki Middle East

info@hoshizaki.nl
info@hoshizaki.dk
vertrieb@hoshizaki.de
info@hoshizaki.fr
info@hoshizaki.es
commerciale@hoshizaki.it
sales.ex@hoshizaki-europe.com

Hoshizaki Netherlands info@hoshizaki.nl
 Hoshizaki Norge salg@hoshizaki.no
 Hoshizaki Sverige orderSE@hoshizaki.dk
 Hoshizaki UK uksales@hoshizaki.uk
 Export countries sales.ex@hoshizaki-europe.com
 Other countries sales.ex@hoshizaki-europe.com

www.hoshizaki.uk