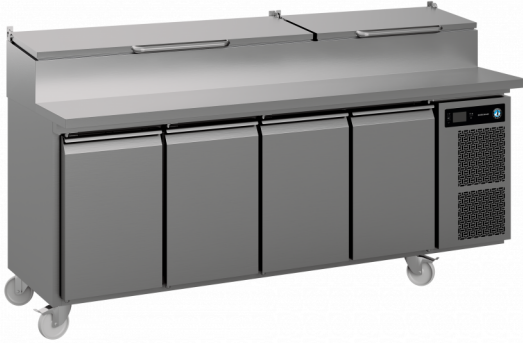




# HOSHIZAKI

## Premier K 4 PT DL DL DL DR C U 4-Section Refrigerated Counter with Prep Top worktop



PRODUCT SERIES: PREMIER 470  
ITEM NUMBER: 411071112210  
COUNTRY OF ORIGIN: TURKEY

Hoshizaki Premier K 4 PT DL DL DL DR C U is a 4-section 1/1 GN refrigerated counter with 4 doors and with prep top worktop with an insulated hinged lid (with handle). It has a gross volume of 625 ltr. Castors H = 150mm and shelf width is 325mm.

- 11 x 1/3 Gastronorm containers 100mm deep can be fitted into the worktop (GN containers not supplied)
- Max depth GN-containers 150 mm
- With insulated hinged lid (with handle)
- Fan assisted cooling
- Completely front vented
- Unit can be fully integrated. Due to front venting design, no air flow is required to the underneath, sides or back of unit
- Automatic defrost with re-evaporation of defrost water
- Heavy duty cabinet and compressor compartment construction
- Climate class 5 cooling system enduring up to +40°C ambient temperature
- Exterior and interior of stainless steel AISI 304
- A compact slide out refrigeration unit for maintenance and service
- Removable condenser filter for cleaning or replacement
- Compartmentalized cooling unit that is available as one unit
- Reversible doors
- Anti-tilt shelves
- Removable magnetic door gaskets with triple insulation area
- Pan-shaped inside base with rounded corners to catch fluids
- IP 21 water protection
- Matching design identity as the Premier cabinets



**1 / 1 GN**

### ACCESSORIES INCLUDED

2 grey shelves per door section

### OPTIONAL EXTRAS

Set of legs 100-150mm

Set of legs 125-200mm

Set of legs 130-180mm

Set of castors 125mm

Set of castors 150mm

Mini Castors - 2 braked and 2 unbraked 88mm

Stainless shelf, 325 x 530mm

Grey shelf, 325 x 530mm

2 x shelf supports

Door section

#### WARRANTY PERIOD

**6 Years on Parts & Labour**

#### EXTERIOR

**Stainless steel AISI 304**

#### INTERIOR

**Stainless steel AISI 304**

Refrigerant type: R290 / Refrigerant: 0.09 kg / CO2 equivalent: 0.27 kg

#### CERTIFICATIONS





# HOSHIZAKI

## Premier K 4 PT DL DL DL DR C U

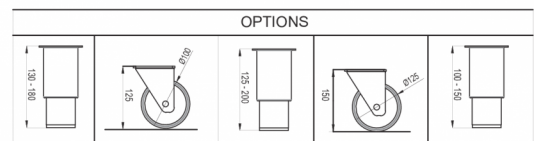
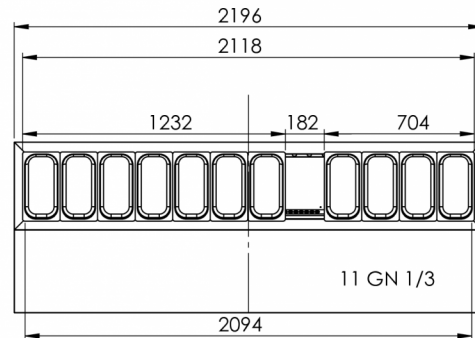
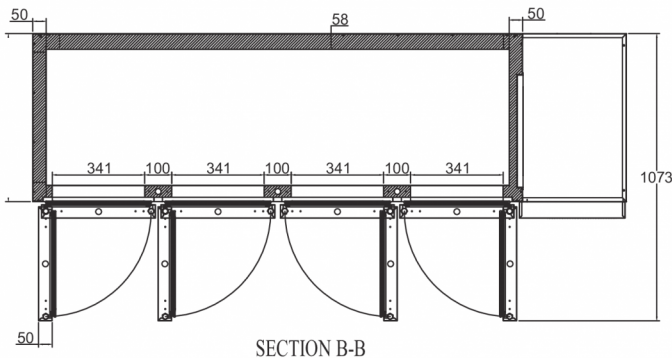
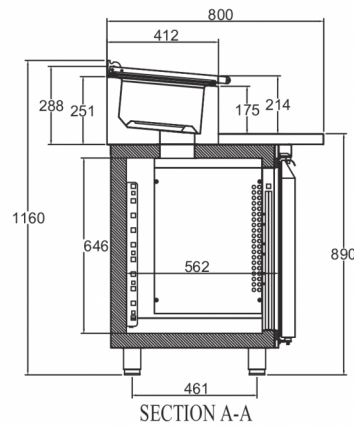
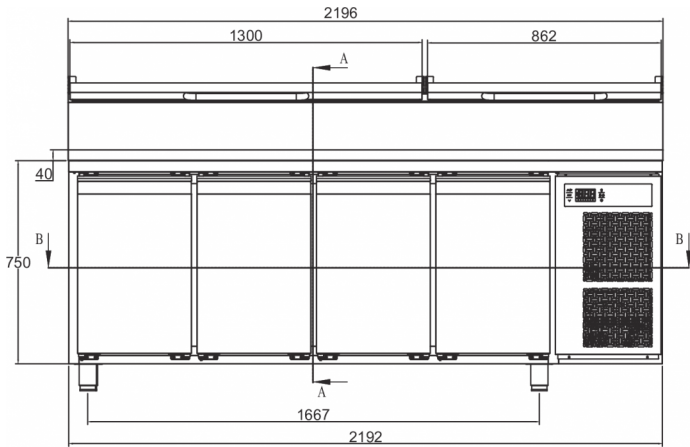
### TECHNICAL SPECIFICATIONS

Temperature range	Shelf size	Volume, gross	Power supply	Connection load	Climate class	Ref. capacity (at -10°C)
+2/+12°C	1/1 GN	625 l	230V, 50Hz	280 W	5 (max. ambient 40°C w/ 40% RH)	633 W

### SHIPPING SPECIFICATIONS

Width (packed)	Depth (packed)	Height (packed)	Volume (packed)	Gross weight	Width	Depth	Height	Net weight
2,226 mm	830 mm	1,397 mm	2.56 m <sup>3</sup>	220 kg	2,196 mm	800 mm	1,210 mm	200 kg

Disclaimer: Every effort has been made to ensure that the information contained in this spec sheet is accurate at the time of publishing. Hoshizaki Europe BV assumes no responsibility or liability for typographical errors or omissions or for any misinterpretation of the information within the publication and reserves the right to change without notice.



Hoshizaki Belgium  
Hoshizaki Danmark  
Hoshizaki Deutschland  
Hoshizaki France  
Hoshizaki Iberia  
Hoshizaki Italia  
Hoshizaki Middle East

[info@hoshizaki.nl](mailto:info@hoshizaki.nl)  
[info@hoshizaki.dk](mailto:info@hoshizaki.dk)  
[vertrieb@hoshizaki.de](mailto:vertrieb@hoshizaki.de)  
[info@hoshizaki.fr](mailto:info@hoshizaki.fr)  
[info@hoshizaki.es](mailto:info@hoshizaki.es)  
[commerciale@hoshizaki.it](mailto:commerciale@hoshizaki.it)  
[sales.ex@hoshizaki-europe.com](mailto:sales.ex@hoshizaki-europe.com)

Hoshizaki Netherlands [info@hoshizaki.nl](mailto:info@hoshizaki.nl)  
Hoshizaki Norge [salg@hoshizaki.no](mailto:salg@hoshizaki.no)  
Hoshizaki Sverige [orderSE@hoshizaki.dk](mailto:orderSE@hoshizaki.dk)  
Hoshizaki UK [uksales@hoshizaki.uk](mailto:uksales@hoshizaki.uk)  
Export countries [sales.ex@hoshizaki-europe.com](mailto:sales.ex@hoshizaki-europe.com)  
Other countries [sales.ex@hoshizaki-europe.com](mailto:sales.ex@hoshizaki-europe.com)

[www.hoshizaki.uk](http://www.hoshizaki.uk)