



# HOSHIZAKI

## ADVANCE ACR-225DG-LLRR-RRS5-C1 U

### 4-Section Refrigerated Counter



PRODUCT SERIES: ADVANCE 225  
ITEM NUMBER: 889040880  
COUNTRY OF ORIGIN: TURKEY

Hoshizaki Advance ACR-225DG-LLRR-RRS5-C1 U is a 4-section 1/1 GN refrigerated counter with four doors and a flat worktop with 50mm splashback. It has a net usable volume of 343 ltr. The height excluding castors is 750mm, castors = H 150mm (C1). Shelf width is 325mm.

- Fan assisted cooling
- Automatic defrost with re-evaporation of defrost water
- Heavy duty cabinet and compressor compartment construction
- Climate class 5 cooling system enduring up to +40°C ambient temperature
- Exterior and interior of stainless steel
- Compartmentalized cooling unit that is available as one unit
- A compact slide out refrigeration unit for maintenance and service
- Removable condenser filter for cleaning or replacement
- Reversible doors
- Anti-tilt shelves
- Removable magnetic door gaskets with triple insulation area
- Pan-shaped inside base with rounded corners to catch fluids
- IP 21 water protection
- Matching design identity as the Advance cabinets



1 / 1 GN

#### ACCESSORIES INCLUDED

2 grey shelves per door section

#### OPTIONAL EXTRAS

Set of legs 130-180mm (L1)

Set of legs 135-200mm (L2)

Set of 4 Castors for 900mm Counter-top (C2)

Castor Extension Kit (extends height of castors by 50mm)

Flat worktop

Flat worktop with 50mm splashback

Shelf support - Left

Shelf support - Right

Drawer section with 2 x 1/2 drawers

Drawer section with 3 x 1/3 drawers \*

Stainless shelf

Grey shelf

\*3 drawer section is not available next to the compressor housing

**WARRANTY PERIOD**  
5 Years on Parts & Labour

**EXTERIOR**  
Stainless Steel

**INTERIOR**  
Stainless steel

Refrigerant type: R290 / Refrigerant: 0.095 kg / CO2 equivalent: 0.285 kg

#### CERTIFICATIONS



Energy consumption	Energy efficiency class	Energy efficiency class standard	Energy Efficiency Index (EEI)
921 kWh/year	B	ISO 22041: 2019	34.53 EEI



# HOSHIZAKI

## ADVANCE ACR-225DG-LLRR-RRS5-C1 U

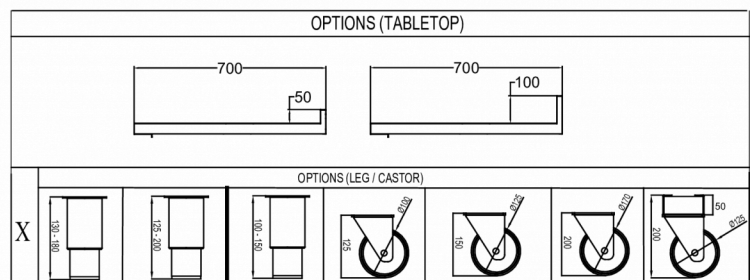
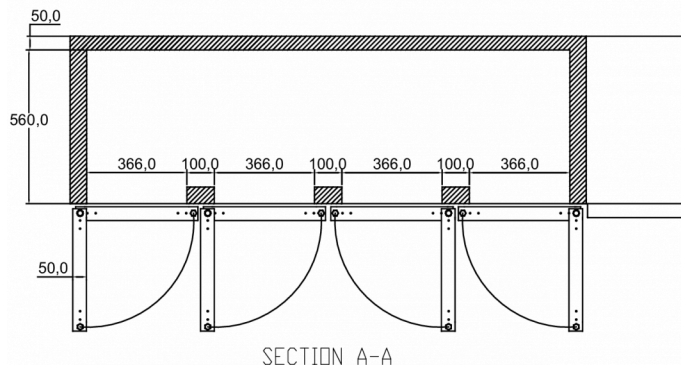
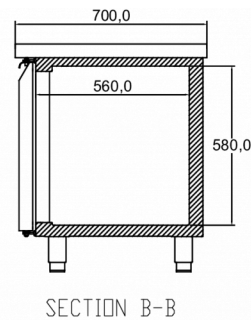
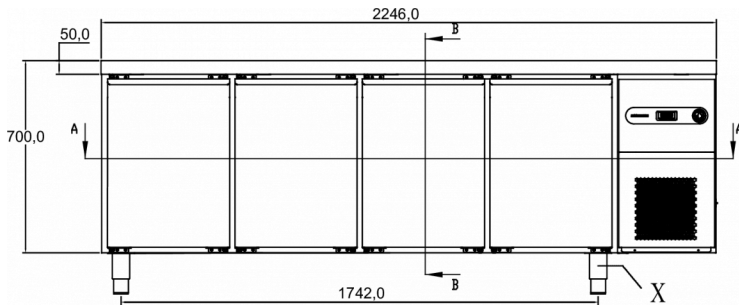
### TECHNICAL SPECIFICATIONS

Temperature range	Shelf size	Volume, gross	Net usable volume	Climate class	Sound level
-2/+8°C	1/1 GN	625 l	343 l	5 (max. ambient 40°C w/ 40% RH)	53 dB(A)
Power supply		Connection load		Ref. capacity (at -10°C)	
230V, 50Hz		240 W		546 W	

### SHIPPING SPECIFICATIONS

Width (packed)	Depth (packed)	Height (packed)	Volume (packed)	Gross weight	Width	Depth	Height	Net weight
2,335 mm	820 mm	1,000 mm	1.915 m3	180 kg	2,246 mm	700 mm	900 mm	161 kg

Disclaimer: Every effort has been made to ensure that the information contained in this spec sheet is accurate at the time of publishing. Hoshizaki Europe BV assumes no responsibility or liability for typographical errors or omissions or for any misinterpretation of the information within the publication and reserves the right to change without notice.



Hoshizaki Belgium  
 Hoshizaki Danmark  
 Hoshizaki Deutschland  
 Hoshizaki France  
 Hoshizaki Iberia  
 Hoshizaki Italia  
 Hoshizaki Middle East

[info@hoshizaki.nl](mailto:info@hoshizaki.nl)  
[info@hoshizaki.dk](mailto:info@hoshizaki.dk)  
[vertrieb@hoshizaki.de](mailto:vertrieb@hoshizaki.de)  
[info@hoshizaki.fr](mailto:info@hoshizaki.fr)  
[info@hoshizaki.es](mailto:info@hoshizaki.es)  
[commerciale@hoshizaki.it](mailto:commerciale@hoshizaki.it)  
[sales.ex@hoshizaki-europe.com](mailto:sales.ex@hoshizaki-europe.com)

Hoshizaki Netherlands [info@hoshizaki.nl](mailto:info@hoshizaki.nl)  
 Hoshizaki Norge [salg@hoshizaki.no](mailto:salg@hoshizaki.no)  
 Hoshizaki Sverige [order@hoshizaki.se](mailto:order@hoshizaki.se)  
 Hoshizaki UK [uksales@hoshizaki.uk](mailto:uksales@hoshizaki.uk)  
 Export countries [sales.ex@hoshizaki-europe.com](mailto:sales.ex@hoshizaki-europe.com)  
 Other countries [sales.ex@hoshizaki-europe.com](mailto:sales.ex@hoshizaki-europe.com)

[www.hoshizaki.uk](http://www.hoshizaki.uk)