



# HOSHIZAKI

## ADVANCE ACF-130DG-LR-RRS-C1 U

### 2-Section Freezer Counter with 100mm splashback



PRODUCT SERIES: ADVANCE 130  
ITEM NUMBER: 899000865  
COUNTRY OF ORIGIN: TURKEY

Hoshizaki Advance ACF-130DG-LR-RRS-C1 U is a 2-section 1/1 GN freezer counter with two doors and a flat worktop with 100mm splashback. It has a net usable volume of 171 ltr. The height excluding castors is 800mm. The total height including castors and 100mm splashback is 950mm. Castors = H 150mm (C1). Shelf width is 325mm.

- Fan assisted cooling
- Automatic defrost with re-evaporation of defrost water
- Heavy duty cabinet and compressor compartment construction
- Climate class 5 cooling system enduring up to +40°C ambient temperature
- Exterior and interior of stainless steel
- Compartmentalized cooling unit that is available as one unit
- A compact slide out refrigeration unit for maintenance and service
- Removable condenser filter for cleaning or replacement
- Reversible doors
- Anti-tilt shelves
- Removable magnetic door gaskets with triple insulation area
- Pan-shaped inside base with rounded corners to catch fluids
- IP 21 water protection
- Matching design identity as the Advance cabinets



**1 / 1 GN**

#### ACCESSORIES INCLUDED

2 grey shelves per door section

#### OPTIONAL EXTRAS

- Set of legs 130-180 mm (L1)
- Set of legs 135-200 mm (L2)
- Set of 4 Castors for 900mm Counter-top (C2)
- Castor Extension Kit (extends height of castors by 50mm)
- Flat worktop
- Shelf support - Left
- Shelf support - Right
- Stainless shelf
- Grey shelf

#### WARRANTY PERIOD

**5 Years on Parts & Labour**

#### EXTERIOR

**Stainless Steel AISI 430**

#### INTERIOR

**Stainless**

Refrigerant type: R290 / Refrigerant: 0.06 kg / CO2 equivalent: 0.18 kg

#### CERTIFICATIONS



Energy consumption	Energy efficiency class	Energy efficiency class standard	Energy Efficiency Index (EEI)
2,528 kWh/year	D	ISO 22041: 2019	74.82 EEI



# HOSHIZAKI

## ADVANCE ACF-130DG-LR-RRS-C1 U

### TECHNICAL SPECIFICATIONS

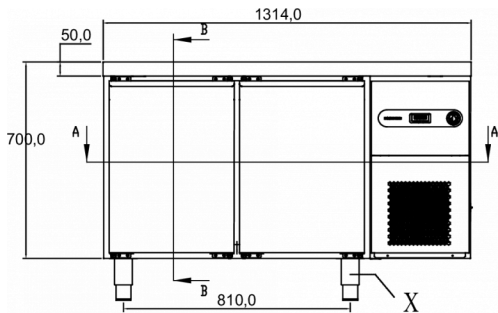
Temperature range	Shelf size	Volume, gross	Net usable volume	Climate class
-22/-5°C	1/1 GN	301 l	171 l	5 (max. ambient 40°C w/ 40% RH)

Power supply	Connection load	Ref. capacity (at -30°C)
230V, 50Hz	524 W	376 W

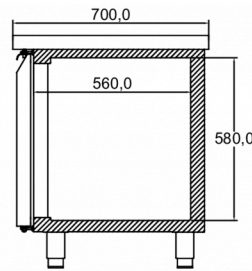
### SHIPPING SPECIFICATIONS

Width (packed)	Depth (packed)	Height (packed)	Volume (packed)	Gross weight	Width	Depth	Height	Net weight
1,404 mm	820 mm	1,050 mm	1.21 m <sup>3</sup>	124 kg	1,314 mm	700 mm	950 mm	97 kg

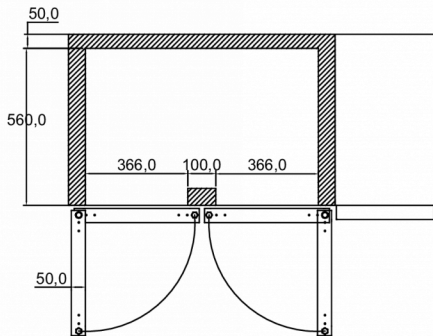
Disclaimer: Every effort has been made to ensure that the information contained in this spec sheet is accurate at the time of publishing. Hoshizaki Europe BV assumes no responsibility or liability for typographical errors or omissions or for any misinterpretation of the information within the publication and reserves the right to change without notice.



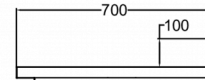
SECTION A-A



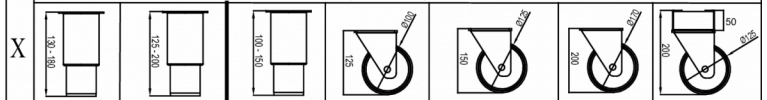
SECTION B-B



### OPTIONS (TABLETOP)



### OPTIONS (LEG / CASTOR)



Hoshizaki Belgium  
 Hoshizaki Danmark  
 Hoshizaki Deutschland  
 Hoshizaki France  
 Hoshizaki Iberia  
 Hoshizaki Italia  
 Hoshizaki Middle East

[info@hoshizaki.nl](mailto:info@hoshizaki.nl)  
[info@hoshizaki.dk](mailto:info@hoshizaki.dk)  
[vertrieb@hoshizaki.de](mailto:vertrieb@hoshizaki.de)  
[info@hoshizaki.fr](mailto:info@hoshizaki.fr)  
[info@hoshizaki.es](mailto:info@hoshizaki.es)  
[commerciale@hoshizaki.it](mailto:commerciale@hoshizaki.it)  
[sales.ex@hoshizaki-europe.com](mailto:sales.ex@hoshizaki-europe.com)

Hoshizaki Netherlands [info@hoshizaki.nl](mailto:info@hoshizaki.nl)  
 Hoshizaki Norge [salg@hoshizaki.no](mailto:salg@hoshizaki.no)  
 Hoshizaki Sverige [order@hoshizaki.se](mailto:order@hoshizaki.se)  
 Hoshizaki UK [uksales@hoshizaki.uk](mailto:uksales@hoshizaki.uk)  
 Export countries [sales.ex@hoshizaki-europe.com](mailto:sales.ex@hoshizaki-europe.com)  
 Other countries [sales.ex@hoshizaki-europe.com](mailto:sales.ex@hoshizaki-europe.com)

[www.hoshizaki.uk](http://www.hoshizaki.uk)