



HOSHIZAKI

ADVANCE SBU15GLU

Blast Chiller/Freezer



PRODUCT SERIES: ADVANCE SBU 15

ITEM NUMBER: 975780516

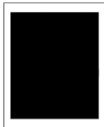
COUNTRY OF ORIGIN: ITALY

ADVANCE SBU15GLU is an HACCP compliant blast chiller/freezer for 1/1 GN and/or EN 600 x 400mm trays (max of 5). Chilling/freezing capacity of 18/10 kg. It features a control panel with segment display for simple and fast navigation. Use the preset favourite programs or store your customized cycles. Legs are adjustable 75-108mm.

- Digital control panel with segment display for simple and fast navigation
- USB port for download of cooling log data
- Single-point probe for precise core temperature control
- HACCP alarms. If a power failure occurs or when a temperature limit is exceeded this will activate an audio-visual alarm
- Climate class 5 cooling system enduring up to +40°C ambient temperature
- Easy maintenance with access to condenser without use of tools
- Removable wire rack for 1/1 GN and/or EN 600 x 400mm
- Max. Number of pans: 5
- The internal fan section can be opened for cleaning around and behind the unit
- Defrost drip tray position under the cabinet
- Right hand hinged door
- Reversible door
- Removable magnetic door gasket



1 / 1 GN



600 x 400 EN

ACCESSORIES INCLUDED

N/A

OPTIONAL EXTRAS

N/A

WARRANTY PERIOD

3 Years on Parts & Labour

EXTERIOR

Stainless steel AISI 304

INTERIOR

Stainless steel AISI 304

Refrigerant type: R290 / Refrigerant: 0.21 kg / CO2 equivalent: 0.63 kg

Energy consumption - Chilling (kWh/kg)	Energy Consumption - Freezing (kWh/kg)
0.07 kWh/kg	0.27 kWh/kg

CERTIFICATIONS





HOSHIZAKI

ADVANCE SBU15GLU

TECHNICAL SPECIFICATIONS

Cooling system	GN tray size	Temperature range	Power supply	Connection load	Fuse Rating	Ref. capacity (at -25°C)	Chilling capacity (from +70°C to +3°C in 90 minutes)	Freezing capacity (from +70°C to -18°C in 4 hours)
Built-in cooling system	1/1 GN / 400 x 600 mm EN	-40/+10°C	230V, 50Hz	770 W	16 A	880 W	18 kg	10 kg

Climate class	Sound level	Net weight	Maximum depth of gastro pans, GN/EN	Height from base to first guide	Height from ceiling to top guide	Distance between guide positions, GN/EN	Height including legs (minimum)	Height including legs (maximum)	Dimensions internal (W x D x H)	Dimensions external (W x D x H)
5 (max. ambient 40°C w/ 40% RH)	60 dB(A)	85 kg	325/400	38 mm	48 mm	530/600	842 mm	875 mm	620 mm x 590 mm x 375 mm	746,5 mm x 706 mm x 767 mm

SHIPPING SPECIFICATIONS

Dimensions packed (W x D x H)	Volume (packed)	Gross weight
810 mm x 770 mm x 1,040 mm	0.649 m ³	95 kg

Disclaimer: Every effort has been made to ensure that the information contained in this spec sheet is accurate at the time of publishing. Hoshizaki Europe BV assumes no responsibility or liability for typographical errors or omissions or for any misinterpretation of the information within the publication and reserves the right to change without notice.



HOSHIZAKI

Hoshizaki Belgium
Hoshizaki Danmark
Hoshizaki Deutschland
Hoshizaki France
Hoshizaki Iberia
Hoshizaki Italia
Hoshizaki Middle East

info@hoshizaki.nl
info@hoshizaki.dk
vertrieb@hoshizaki.de
info@hoshizaki.fr
info@hoshizaki.es
commerciale@hoshizaki.it
sales.ex@hoshizaki-europe.com

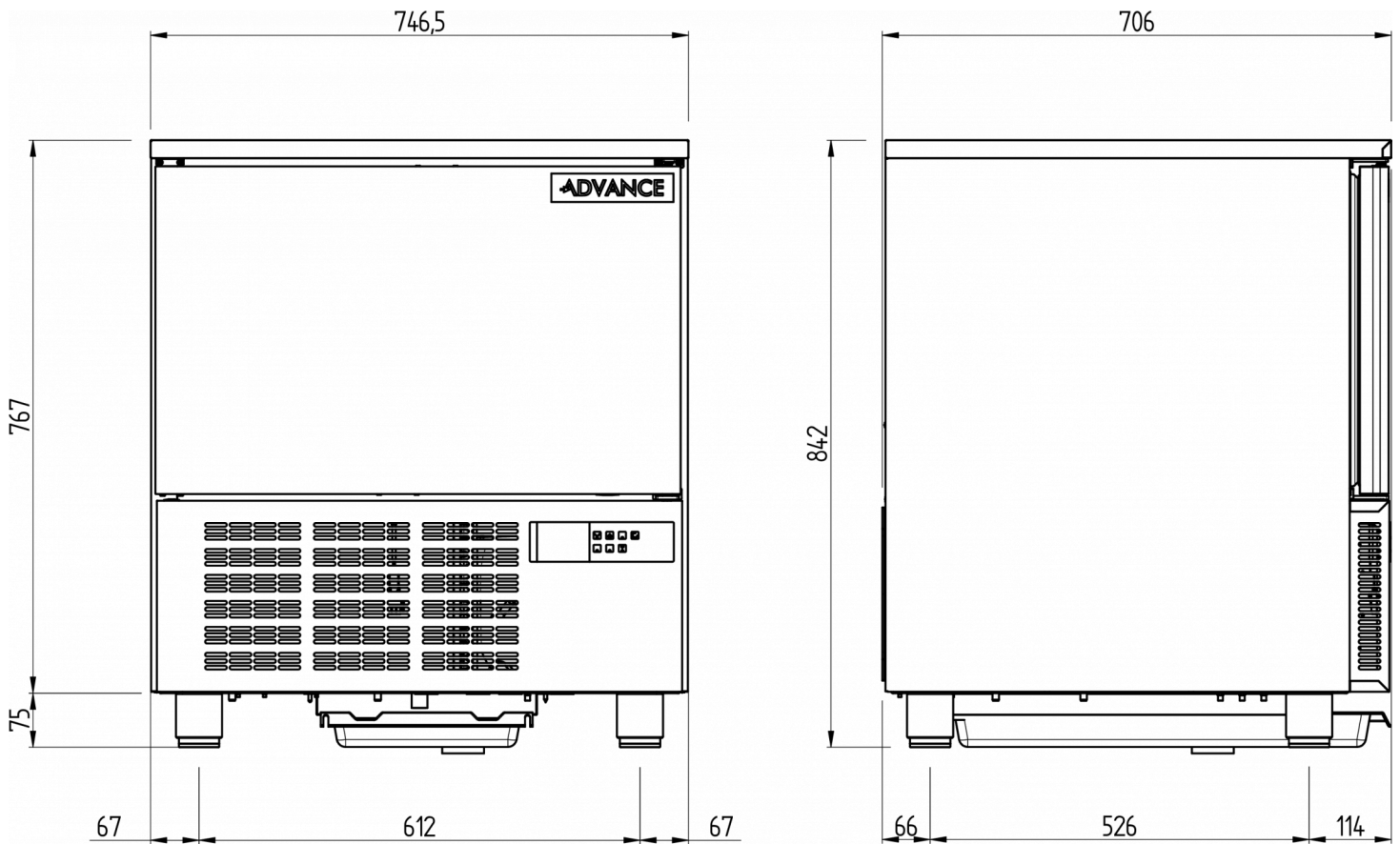
Hoshizaki Netherlands info@hoshizaki.nl
Hoshizaki Norge salg@hoshizaki.no
Hoshizaki Sverige order@hoshizaki.se
Hoshizaki UK uksales@hoshizaki.uk
Export countries sales.ex@hoshizaki-europe.com
Other countries sales.ex@hoshizaki-europe.com

www.hoshizaki.uk



HOSHIZAKI

ADVANCE SBU15GLU



HOSHIZAKI

Hoshizaki Belgium info@hoshizaki.nl
Hoshizaki Danmark info@hoshizaki.dk
Hoshizaki Deutschland vertrieb@hoshizaki.de
Hoshizaki France info@hoshizaki.fr
Hoshizaki Iberia info@hoshizaki.es
Hoshizaki Italia commerciale@hoshizaki.it
Hoshizaki Middle East sales.ex@hoshizaki-europe.com

Hoshizaki Netherlands info@hoshizaki.nl
Hoshizaki Norge salg@hoshizaki.no
Hoshizaki Sverige order@hoshizaki.se
Hoshizaki UK uksales@hoshizaki.uk
Export countries sales.ex@hoshizaki-europe.com
Other countries sales.ex@hoshizaki-europe.com

www.hoshizaki.uk